



GOOD
DESIGN

WINNER OF
GOOD DESIGN AWARD 2008

Elemento

ALL-IN-1 BUILT-IN HOB - TRJC753

PERFECT COOKING PARTNER



煤氣
Towngas

TGC



- 3 burners with different powers to cater different cooking needs
三個爐頭備有不同火力，方便不同煮食方式

- "Lotus" flame with high efficiency
高效能"蓮花"火

- 9 levels of flame adjustment, with upper and lower flame
9段火力調校，設有上下火

- Electronic indication lamp for flame control
電子燈號火力控制顯示

- Each burner equipped with intelligent sensor
爐頭均設有智能感應器

- Durable 6 mm thick aluminium alloy top plate
6毫米厚鋁合金面板，堅固耐用

- Durable stainless steel pan support with aesthetic design
精製不銹鋼爐架，線條細緻，美觀耐用

- Detachable air intake guard
易拆式進氣保護蓋



- Child-proof lock
兒童安全鎖

- High temp. shut-off device
高溫熄火安全裝置

- Scorching shut-off device
防燒焦熄火裝置

- 2-hour shut-off safety device
兩小時自動熄火安全裝置

- Convenient built-in oven/ grill with 3/4 levels of flame adjustment
內置焗爐(3種火力調校)，並可作烤爐使用(4種火力調校)

- Equipped with quality cast iron pot
配備優質鑄鐵鍋



- Water boiling function— with further 5 minutes simmering after water boils to ensure complete sterilisation
智能沸水程式 - 水滾後爐火自動收細，並於5分鐘後自動熄火，確保食水衛生

- Rice cooking function (clay pot, congee and rice)
智能煮飯功能 (煲仔飯、粥和白飯)

- 4 temperature settings for frying function
智能油炸功能 (四種溫度選擇)

- Timer function
預校熄火時間功能

- Keep warm function (can be adjusted from 1 to 90 minutes)
保溫功能 (可調校 1 至 90分鐘)



防漏熄火安全裝置

Flame Failure Device

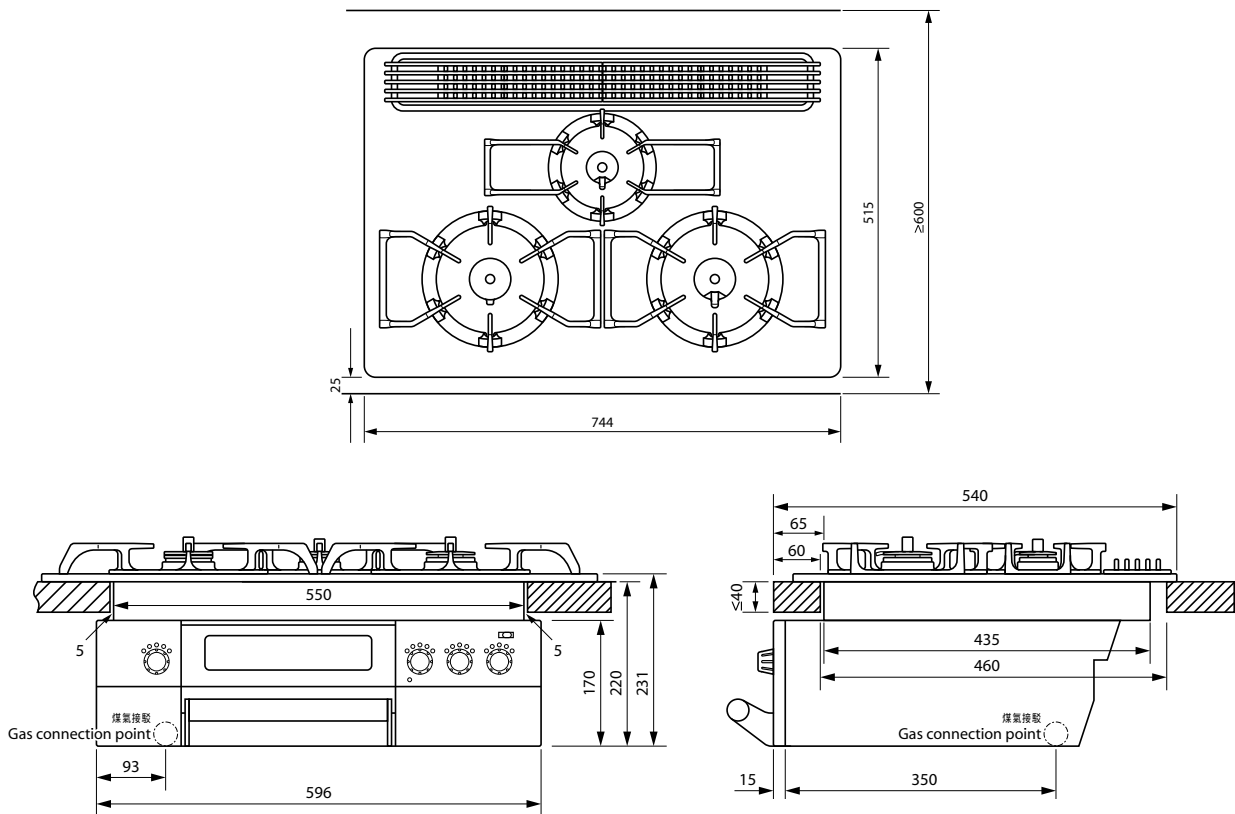
- Free 3-year warranty including parts 免費包零件保養3年
- 10-month interest-free installments 免息分期10個月
- Free standard installation 免費標準安裝
- Free delivery service 免費送貨服務

For Enquiries or To Place Order 查詢或訂購

RM/BH/0409

Any Towngas Customer Centre or Towngas Avenue 各煤氣客戶中心及名氣廊
Sales Hotline 產品銷售熱線 2963 3000 www.towngasappliance.com

Elemento ALL IN ONE BUILT-IN HOB TRJC753



Remark: Dimensions in mm 註：尺寸為毫米

Model 型號	TRJC753
Dimensions 整體尺寸 H高* x W闊 x D深 (mm 毫米 / inch 吋) *Height to top plate (to bench top) 高度至爐面 (至櫥櫃面)	231(220) x 744 x 515 / 9.1(8.7) x 29.3 x 20.3
Cut-out dimensions 開孔尺寸 W闊 x D深 (mm 毫米 / inch 吋)	560 x 460 / 22.0 x 18.1
Gas consumption 用氣量 Max. / Min. - MJ / hr (kW) 最高 / 最低 - 兆焦耳 / 小時 (千瓦)	Large burner 大爐頭 15.5 (4.3) / 1.1 (0.3) Medium burner 中爐頭 9.4 (2.6) / 1.4 (0.4) Small burner 小爐頭 4.6 (1.3) / 1.1 (0.3) Oven burner 烤爐頭 7.2 (2.0) / 3.2 (0.9)
Weight 重量 kg (lb) 千克 (磅)	31.0 (68.2)
Electric supply 電源供應	1.5V 'D' size battery x 2 1.5 伏特 "D" 型乾電池 x 2
Colour and material 顏色及物料	Silver aluminium alloy 銀色鋁合金
Country of origin 原產地	Japan 日本