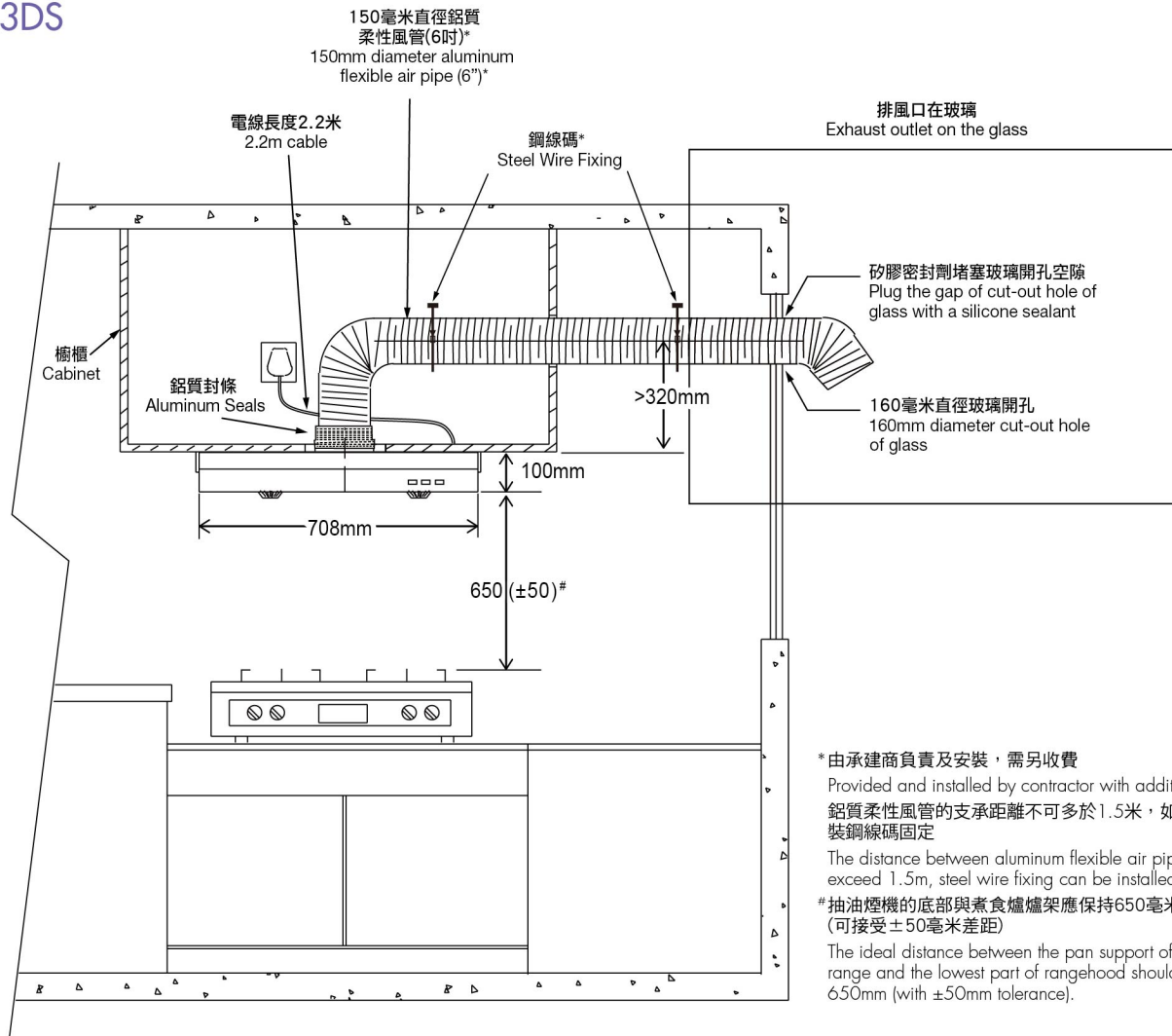
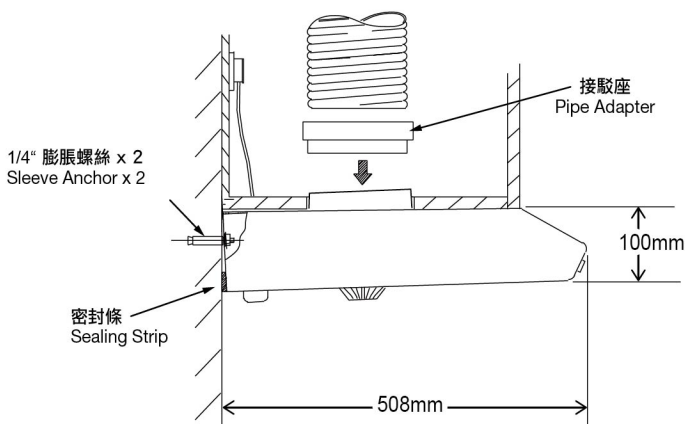


SSTR73DS

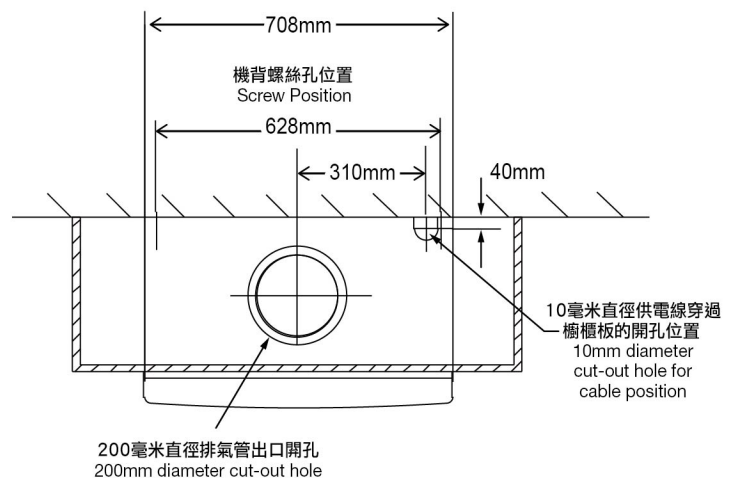


\*由承建商負責及安裝，需另收費  
Provided and installed by contractor with additional charge  
鋁質柔性風管的支承距離不可多於1.5米，如有需要可加裝鋼線碼固定  
The distance between aluminum flexible air pipe cannot exceed 1.5m, steel wire fixing can be installed as required  
#抽油煙機的底部與煮食爐架應保持650毫米距離(可接受±50毫米差距)  
The ideal distance between the pan support of cooking range and the lowest part of rangehood should be 650mm (with ±50mm tolerance).

正視圖  
Front View



側視圖  
Side View



俯視圖  
Top View

mm = 毫米

