

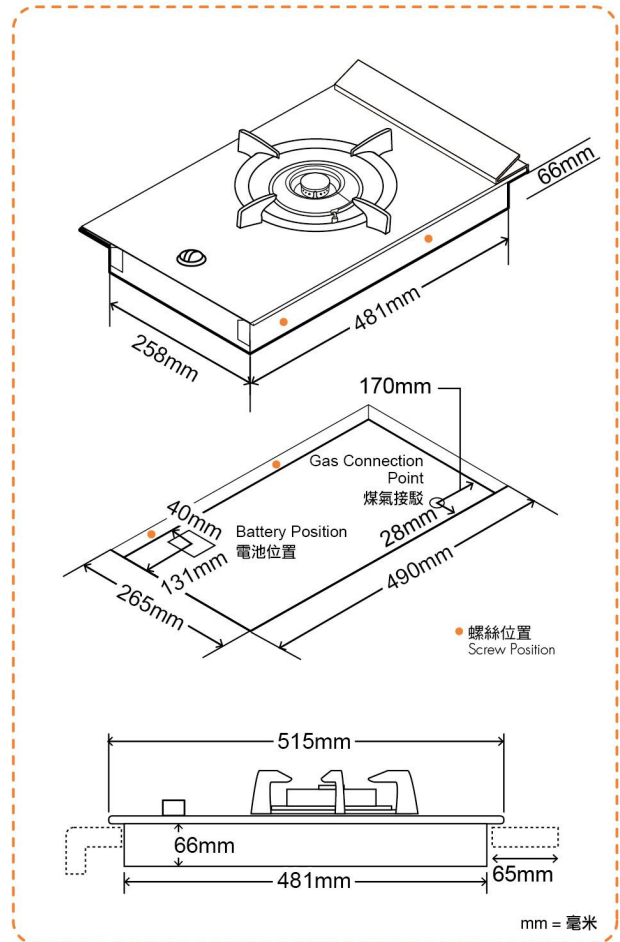


HZB31G



- 5.0千瓦雙環爐頭兼獨立細芯火  
5.0 kW double-ring burner with independent simmer flame
- 密封式爐頭設計，防止溢瀉汁液流進爐內  
Sealed burner avoids food spills and facilitates easy cleaning
- 快易點火系統，點火快捷  
Fast-easy ignition system for prompt ignition
- 單件式煮食爐可隨意組合及安裝  
Domino-type built-in hobs to enable flexible combination
- 後進風面板設計，開關廚櫃門不影響爐火穩定  
Top plate with rear air intake for stable flame regardless of cabinet door movement

型號 Model	HZB31G
顏色及物料 Colour and Material	黑色強化玻璃面 Black Tempered Glass
整體尺寸 Dimensions 高 x 闊 x 深 (毫米 / 吋) H x W x D (mm/inch)	135(67)* x 288 x 515 / 5.3(2.6)* x 11.3 x 20.3
開孔尺寸 Cut-out Dimensions 闊 x 深 (毫米 / 吋) W x D (mm/inch)	265 x 490 / 10.4 x 19.3
用氣量 Gas Consumption 最高 / 最低 - 兆焦耳 / 小時 (千瓦) Max/Min - MJ/hr (kW)	18.0 (5.0) - 1.8 (0.5)
電源供應 Electric Supply	'D' 型電池 1.5 伏特 x 2 'D' Size Battery 1.5V x 2



\* 高度至爐架 (至廚櫃面) Height to pan support (to bench top)

免 費包零件保養3年\*  
3-year warranty including parts

免 費送貨服務\*  
Free delivery service

免 費標準安裝\*  
Free standard installation

[www.towngasappliance.com](http://www.towngasappliance.com)  
Towngas Appliance



\*須受條款約束。Terms and conditions apply.