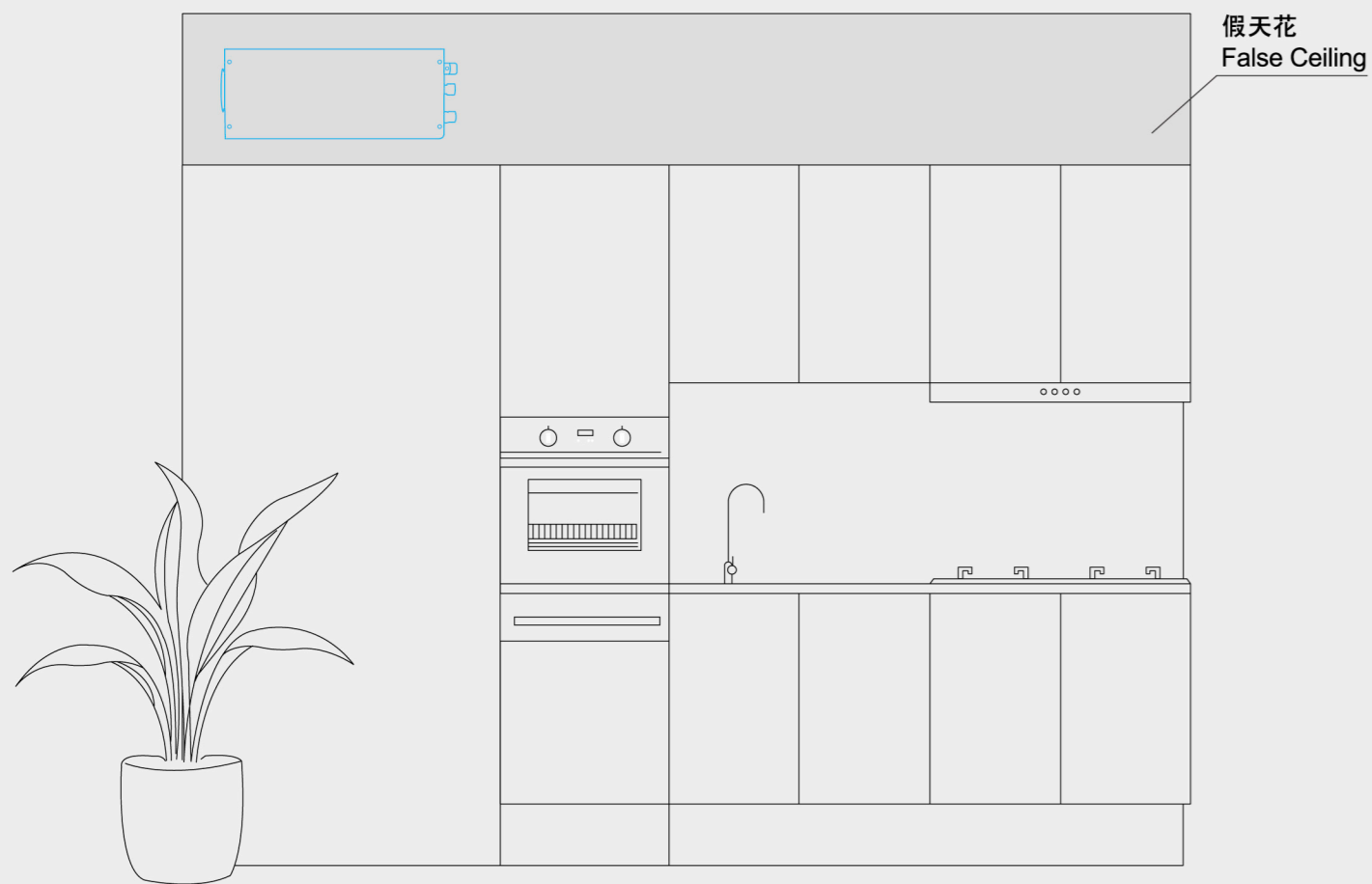


## 高位安裝圖示 High-level Installation Demonstration



## 低位安裝圖示 Low-level Installation Demonstration



型號 Model	類型 Category	安裝位置 Installation Position	外型尺寸 Dimensions		用氣量 Gas Consumption		熱水供應量 Hot Water Supply	熱水爐管道接駁 Water Heater Pipe Connection	
			高 x 闊 x 深 H x W x D		兆焦耳 / 小時 (千瓦) MJ / hr (kW)		25°C 升溫 25°C Temp. Rise	煤氣 Gas	冷 / 熱水 Cold / Hot Water (熱水循環)* (Circulation)*
			毫米 mm 吋 inch	最高 Maximum	最低 Minimum	公升 / 分鐘 Litre / Min			
RJW15SN (WM)	超薄型煤氣恆溫熱水爐 Temperature-modulated Superslim Water Heater	低位 Low-level	405 x 350 x 75	125.6 (34.9)	13.7 (3.8)	16	M28 x 1.5	1/2" B.S.P	
RJW20SN (WM)			15.9 x 13.8 x 3.0	161.3 (44.8)					20
RBOX16L	箱式煤氣恆溫熱水爐 Box Type Temperature-modulated Water Heater	高位 High-level	231 x 527 x 403 9.1 x 20.7 x 15.9	123.5 (34.3)	16.2 (4.5)	15.5	3/4" B.S.P	3/4" B.S.P (1/2" B.S.P)*	
RBOX16QL									
RBOX16R									
RBOX16QR									
TRJW162TFL	箱式煤氣恆溫熱水爐 Box Type Temperature-modulated Water Heater	低位 / 高位 Low-level / High-level	370 x 453 x 280 14.6 x 17.8 x 11.0	141.5 (39.3)	9.0 (2.5)	18	3/4" B.S.P	3/4" B.S.P (1/2" B.S.P)*	
TRJW162TFQL									
TRJW222TFL				172.8 (48.0)	9.0 (2.5)	22	3/4" B.S.P	3/4" B.S.P (1/2" B.S.P)*	
TRJW222TFQL									

+只適用於TFQL/QL/QR型號。For TFQL/QL/QR models only.  
所有型號使用交流電220伏特(50赫)及採用機動排煙密封式設計。a.c. 220V (50Hz) and fan assisted room-sealed design apply to all models.

**免** 費永久保養(首3年包零件)\*  
Free lifetime warranty (First 3 years  
including parts)\*

**免** 費送貨服務\*  
Free delivery service\*

**免** 費標準安裝及回收舊爐\*  
Free standard installation and collection  
of existing appliance\*

查詢或訂購 For enquiries or order placement:

產品銷售熱線 : **2232 1000**  
Sales Hotline

各TGC煤氣客戶中心  
Any TGC Towngas Customer Centre

[www.towngasappliance.com](http://www.towngasappliance.com)

[Towngas Appliance](#)



\*安裝電掣及煙囪需另收費。免費維修保養及送貨安裝服務只適用於住宅用戶。所有行使禁煙的地區則不獲提供維修保養及送貨安裝服務。本公司不會為產品因不當安裝、操作、濫用或錯誤使用等情況而引致的損壞提供三年免費更換零件保養服務。此保養服務並不包括損耗配件。新更換零件(不包括損耗配件)的保養期延長至24個月。規格如有更改,恕不另行通知。所有圖片只供參考。  
\*Charges for electric work and installation of flue box are not included. Free warranty, delivery and installation servicing only for residential customers. Warranty, delivery and installation servicing will not be provided for all restricted areas. Our company will not provide the 3-year free spare parts replacement warranty service to any product damages resulting from improper installation, mishandling, abuse of use and misuse of our products. This warranty service does not cover consumable parts. Warranty of newly replaced spare parts (except consumable parts) is extended to 24 months. All specifications are subject to change without notice. All photos are for reference only.

© 版權所有。未經本公司授權,不得翻印、複製或使用本單張作任何用途。  
© All rights reserved. Copying, reproducing or using the contents of this leaflet are not allowed without prior permission from our company.



RM/UBWH0125



# 隱藏式熱水爐系列 Cabinet-concealed Water Heater Series



超薄型系列 Superslim Series

RJW15 / 20 SN (WM)

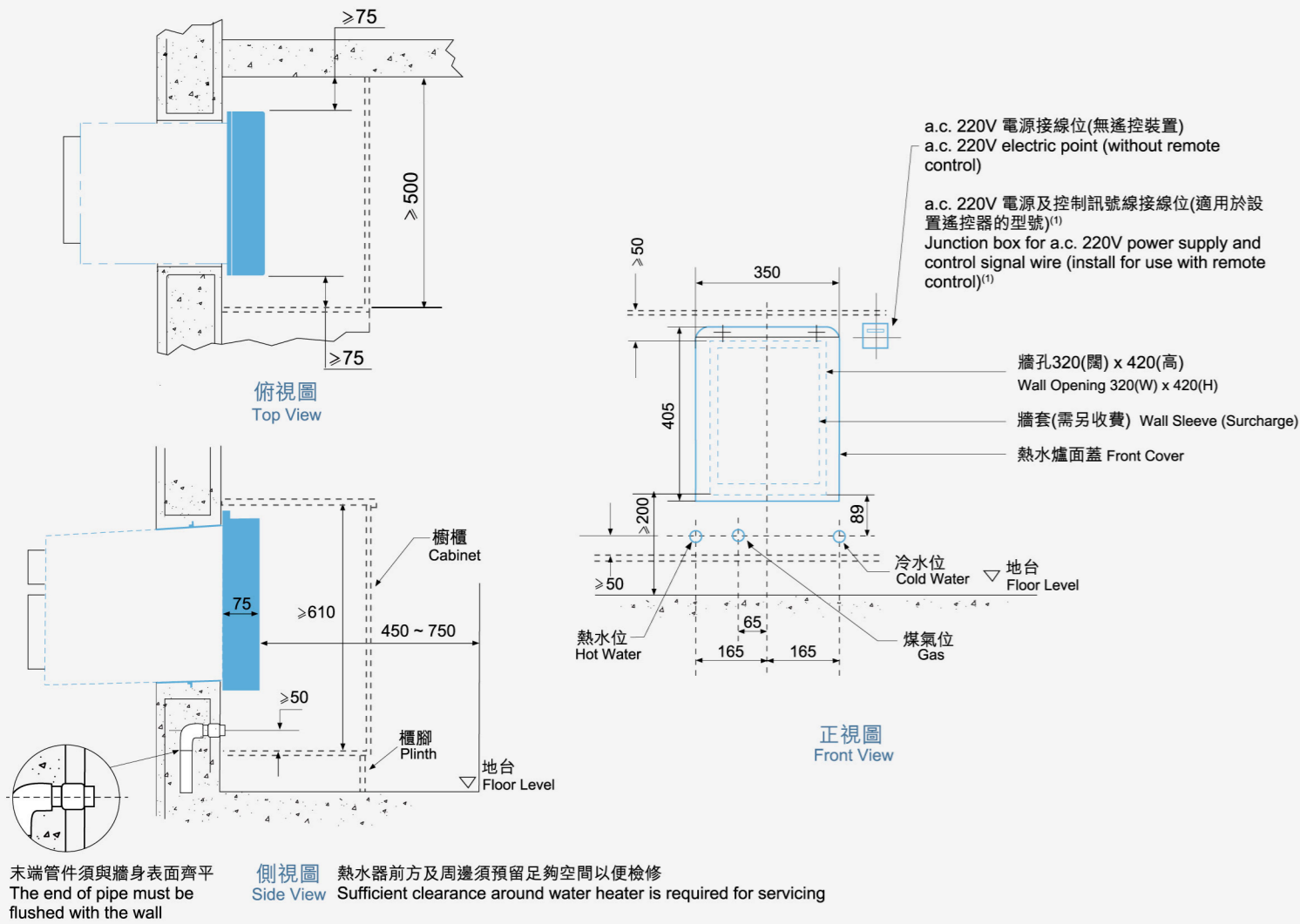


附送1個有線遙控器\*  
1 complimentary  
wired remote control#

RJW15/20SN(WM)是銷售代號，GU05認可型號為RJW15/20SN  
RJW15/20SN(WM) is a sales code, GU05 approved model is RJW15/20SN



RJW15 / 20 低位超薄型恆溫熱水爐安裝位 Low-level Temperature-modulated Superslim Water Installation



備註 Remarks:

若安裝TRJW162/222TFQL及RBOX16QL/QR時供水壓力高於500 kPa (72.5 psi)，或TNJW162/222TFQL高於600 kPa (87 psi)，必須加設水壓調節器  
When water supply pressure exceeds 500 kPa (72.5 psi) for TRJW162/222TFQL and RBOX16QL/QR, or 600 kPa (87 psi) for TNJW162/222TFQL, a pressure reducing valve is required

圖示尺寸只供參考  
Dimensions are for reference only

2 只適用於TFQL / QR / QL型號  
For TFQL / QR / QL models only

3 1" PVC喉，只適用於TFQL型號  
1" PVC pipe for TFQL model only

4 管碼之間距離不應多於1.5米  
The distance between pipe bracket cannot exceed 1.5m

\* TFQL / QL / QR：備有預熱功能  
Pre-heat Function

# 可另購最多2個  
Maximum purchase 2 extra

1 電源線與訊號線的管道須各自分開  
Power cable and control signal wire connecting to junction box should in separate conduits

箱式系列 Box Type Series



TRJW162 / 222TFQL



附送1個有線遙控器\*  
1 complimentary  
wired remote control#

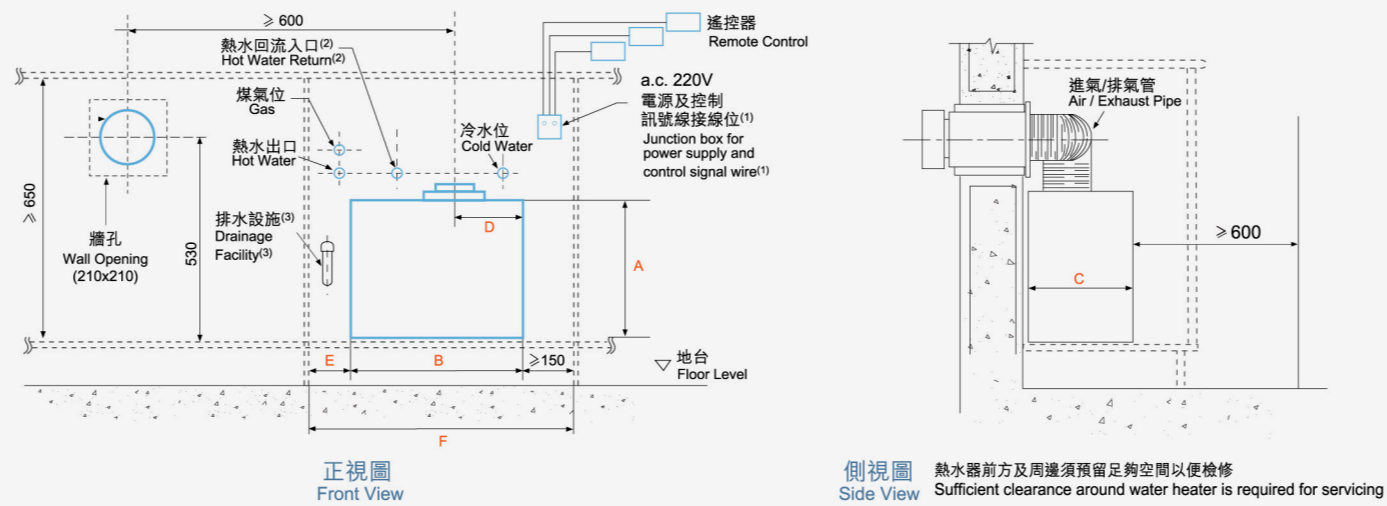


TRJW162 / 222TFQL\*

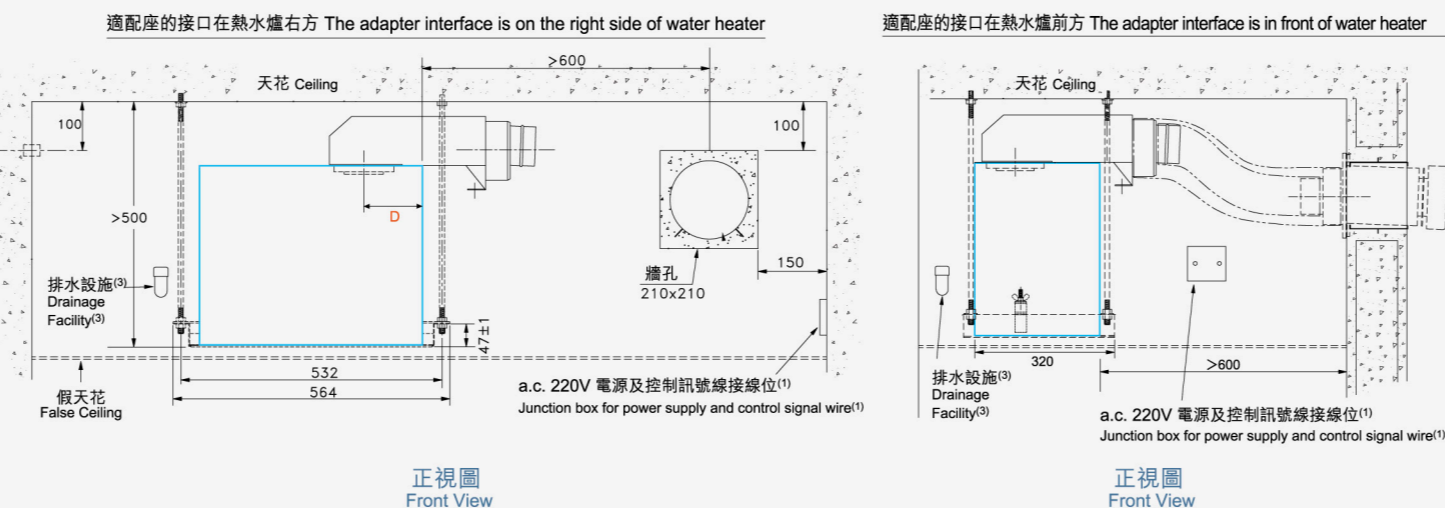


附送1個有線遙控器\*  
1 complimentary  
wired remote control#

TRJW162/222 低位箱式煤氣恆溫熱水爐安裝位  
Low-level Box Type Temperature-modulated Water Heater Installation



TRJW162/222 高位箱式煤氣恆溫熱水爐安裝位  
High-level Box Type Temperature-modulated Water Heater Installation



	A	B	C	D	E	F
TRJW162/222	370	453	280	120	≥100	≥703

熱水爐安裝在間隔室內(如假天花)，須提供通風設施(如百葉)，以保持空間內通風良好。此外，須提供便捷開口並確保前方及周邊預留足夠空間作檢修用途。  
If the water heater is installed in a compartment (such as false ceiling), ventilation facilities (such as louvre) must be provided to keep the compartment well ventilated. In addition, it is necessary to provide quick access panel and reserved sufficient space at the front and surrounding the water heater for servicing.

箱式系列 Box Type Series



RBOX16L



附送1個有線遙控器\*  
1 complimentary  
wired remote control#



RBOX16QL\*



附送1個有線遙控器\*  
1 complimentary  
wired remote control#



RBOX16R



附送1個有線遙控器\*  
1 complimentary  
wired remote control#

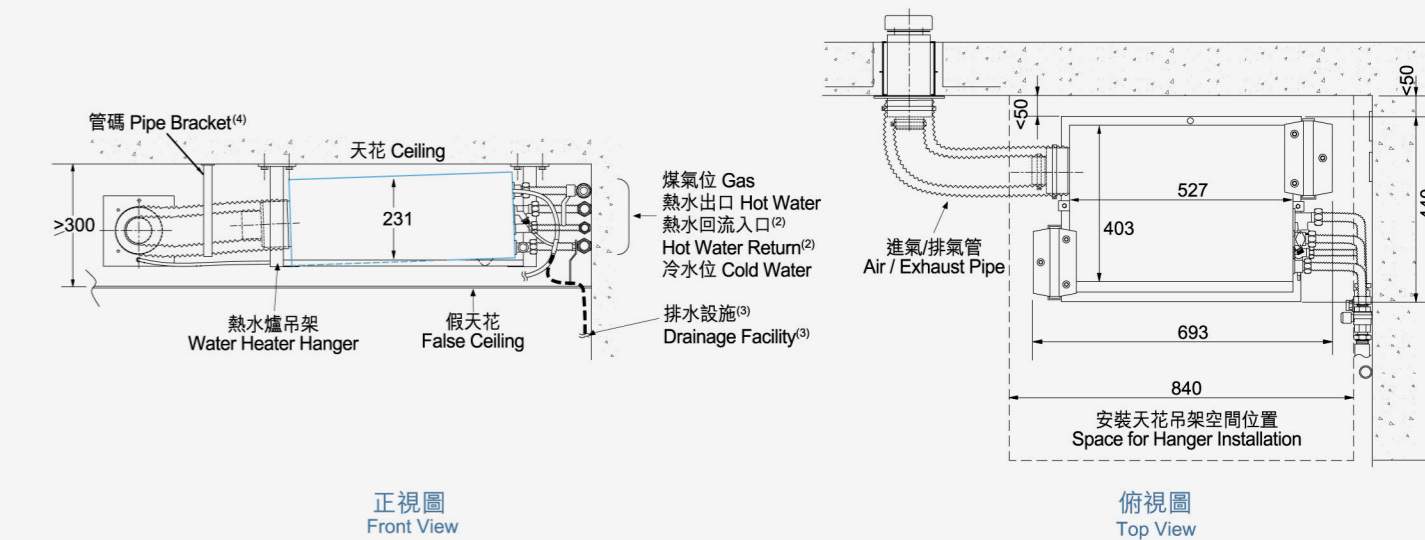


RBOX16QR\*

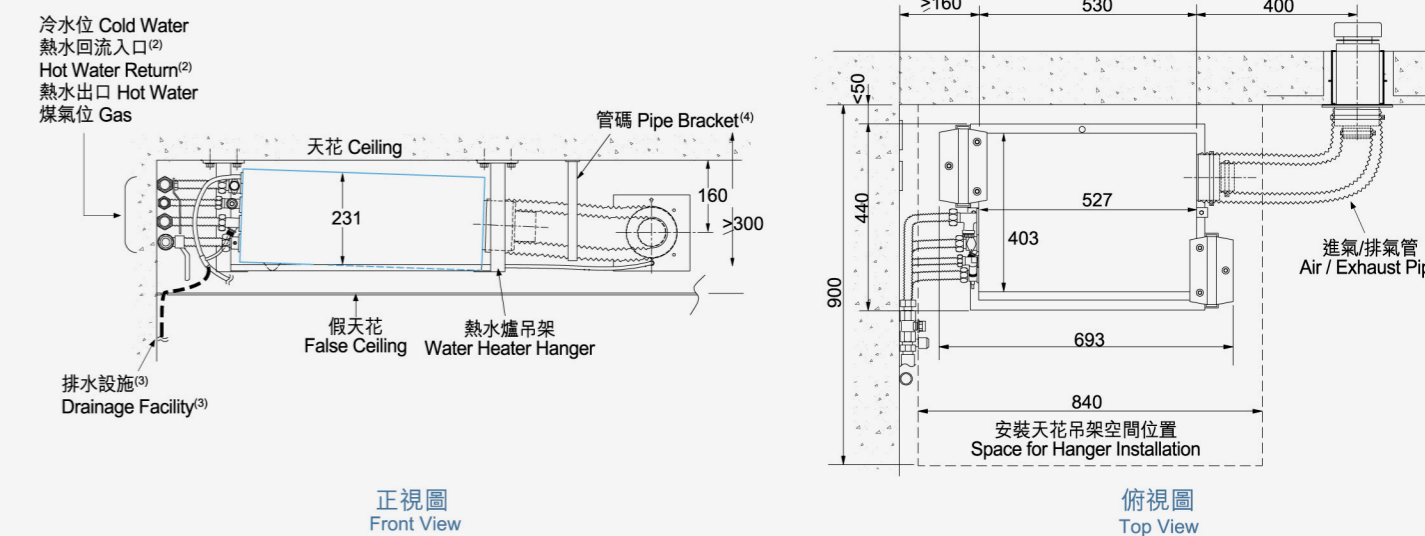


附送1個有線遙控器\*  
1 complimentary  
wired remote control#

RBOX16L / QL 高位箱式煤氣恆溫熱水爐安裝位  
High-level Box Type Temperature-modulated Water Heater Installation



RBOX16R / QR 高位箱式煤氣恆溫熱水爐安裝位  
High-level Box Type Temperature-modulated Water Heater Installation



熱水爐安裝在間隔室內(如假天花)，須提供通風設施(如百葉)，以保持空間內通風良好。此外，假天花須可活動開啟並確保下方預留足夠空間供吊架下降以便檢修。  
If the water heater is installed in a compartment (such as false ceiling), ventilation facilities (such as louvre) must be provided to keep the compartment well ventilated. In addition, the false ceiling should be removable and reserve sufficient space underneath to drop down the hanger for servicing.