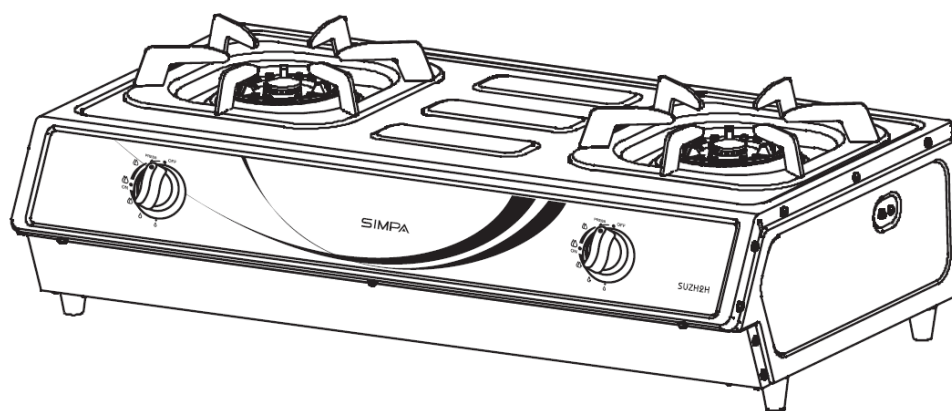


SIMPA

座枱煮食爐
Hotplate

型號 : SUZH2H
Model

使用說明書
User Instructions



香港煤氣適用
For Hong Kong Town Gas

目錄

重要安全指示	第 1 頁
安裝指示	第 3 頁
操作指示	第 5 頁
保養	第 5 頁
故障處理	第 6 頁
技術規格	第 7 頁

注意!

根據香港氣體安全條例，任何氣體裝置工程，包括爐具和接駁喉管的安裝，必須由註冊氣體裝置技工執行，而該技工已於相關的氣體工程類別註冊及受聘於註冊氣體工程承辦商。

重要安全指示

以下指示對氣體爐具的安全操作十分重要，請詳細閱讀。如有查詢或需要維修服務，請聯絡煤氣公司 24 小時客戶服務熱線 2880 6988。

安裝

1. 使用認可印有機電工程署批准標記（例如：機電工程署批准 EMSD APPROVAL GTXXXX）的氣體接駁喉管，或使用機電工程署接納的其他恰當方法。
2. 爐具周圍和下方不可放置可燃物品，如紙張及塑膠等。與可燃物料距離須保留 150 毫米以上。
3. 爐具須安裝在空氣流通之房間內。

使用

1. 當懷疑洩漏氣體時，將窗戶打開，以及關閉煤氣錶閥。切勿操作任何電器或電掣開關。切勿在現場使用任何電話。在現場以外的地方，致電煤氣24小時公司緊急事故熱線，電話：2880 6999。
2. 請參照說明書內指引正確使用爐具。
3. 爐具只供家用，切勿用於商業用途。
4. 除煮食外，切勿使用爐具作其他用途，例如烘乾衣物。
5. 使用爐具前，請開啟窗戶及排氣系統。
6. 不可讓兒童使用爐具。
7. 切勿讓爐具在無人看管下運作。
8. 切勿在爐頭加上錫紙碟，這會引致燃燒問題。
9. 請確保爐頭蓋沒有變形，如有異常，請聯絡煤氣公司安排更換。
10. 使用前，確保爐頭蓋和爐架擺放正確，沒有傾斜。
11. 請確保爐頭火孔沒有被水或污漬堵塞。
12. 切勿放置超過 10 公斤的重量在爐架上。
13. 爐架很重，切勿掉下。
14. 請確保使用時火焰平均。
15. 注意爐面、爐頭及爐架的高溫。
16. 切勿使用直徑超過 300 毫米的平底煮食器皿，避免溫度過高而造成燙傷及影響爐具的使用壽命。
17. 使用細小器皿時，請將火力調低，避免火焰超出煮食器皿底部。
18. 請確保器皿穩定地放在爐架上，如器皿容易滑動，必須緊握它。
19. 燒開水或煮湯時，注入的水量連湯料不可超過器皿容量 3 分之 2，溢出液體會影響燃燒和損壞爐具。
20. 烹調時，請盡量蓋上鍋具。而鍋具的手柄亦應轉向適當位置，避免受熱或碰撞。
21. 請勿在爐具附近使用噴霧產品。
22. 使用後，應將所有旋鈕設於關閉位置「OFF」。
23. 經常清潔爐頭蓋以保持爐頭火孔暢通，如滾瀉食物及汁液，應在爐具冷卻後儘快作出妥善清潔。
24. 如爐具出現異常聲響，應先關火。在爐具完全冷卻後，檢查爐頭蓋及放好爐頭蓋，並重新點火。若問題持續，聯絡煤氣公司進行檢查。

重要安全指示

保養

1. 定期檢查氣體喉管狀況，確保沒有扭結或裂縫，若發現損壞，請聯絡煤氣公司更換喉管。
2. 讓爐具完全冷卻後，才可進行清潔。
3. 進行清潔時，應穿上保護手套避免割傷。
4. 清洗爐頭蓋後，用乾布將爐頭蓋完全抹乾，爐頭火孔不可留有水份，以免影響燃燒。
5. 使用前和使用後，注意爐頭的狀況和清潔。以下不正常狀況會產生燃燒不良，進而引致部件損壞。請確保採取相應措施，糾正有關問題。

不正常情況	處理措施
爐頭蓋變形	聯絡煤氣公司更換零件。
爐頭蓋傾斜	將爐頭蓋重新放好，不可傾斜。
爐頭火孔被水堵塞	用布將爐頭蓋抹乾後，重新放好。
爐頭火孔被污積堵塞	用溫和洗滌劑和刷子清潔爐頭蓋。用布將爐頭蓋抹乾後，重新放好。

安裝指示

安裝位置

爐具須安裝在空氣流通之房間內，但切勿置於強風直接吹入的位置。附近不可放置易燃物料（如紙張、油類）、噴霧及壓縮容器。爐具與周圍可燃物料應保持 150 毫米以上的距離。爐具上方須保留最少 650 毫米空間。若上方裝有抽油煙機，並要求更大間距，應採用較大間距。

安裝爐具

放置爐具於工作平面，確保所放之處穩固平坦。

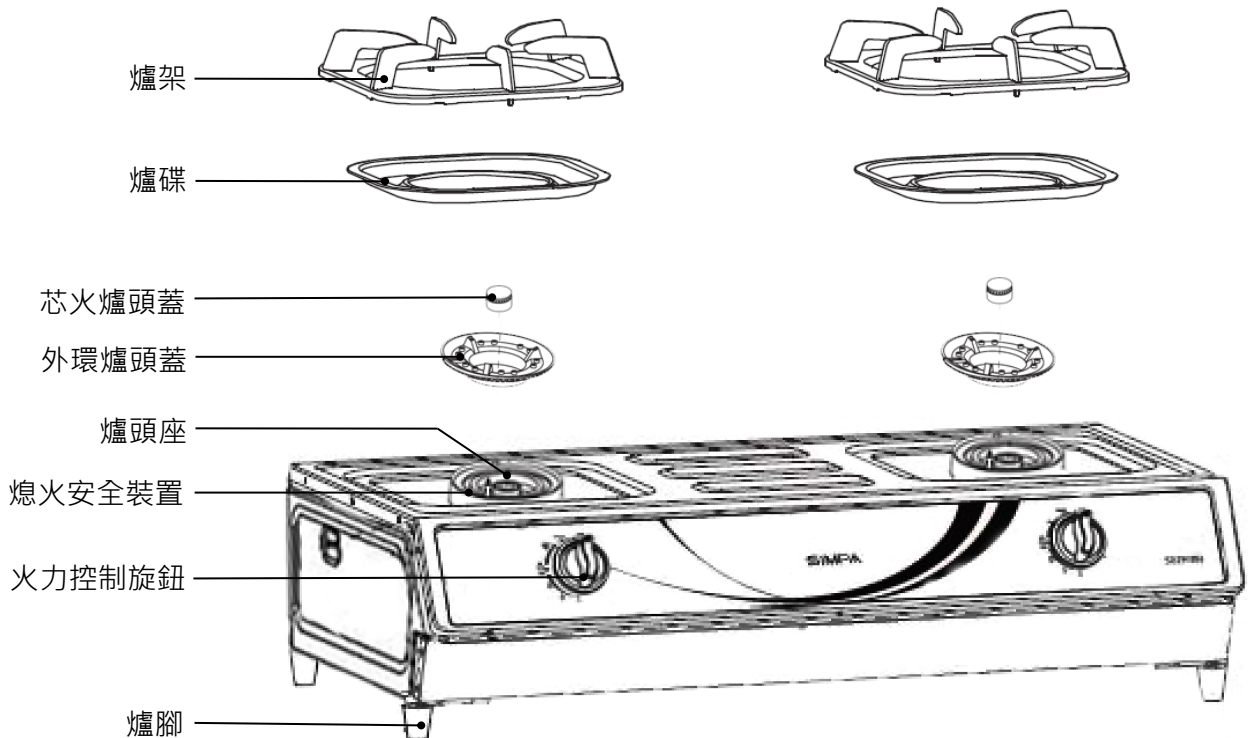
氣體接駁

根據現行指定的標準，將氣體爐具連接供氣設施上，接駁前確保爐具符合所供應之氣體類型。此外，檢查供氣壓力是否 1.5 千帕。

注意：氣體接頭為 1/2" 吋英制陽螺紋，使用已批准的氣體喉管接駁爐具，氣體軟喉長度不可超過 2000 毫米。確保喉管沒有接觸任何活動部件、被扭曲或被擠壓。接駁完成後，檢查喉管的氣密性。切勿使用明火作檢查。

完成安裝

使用前，確定所有部件正確放置。



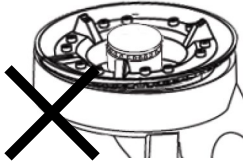
安裝指示

爐頭放置

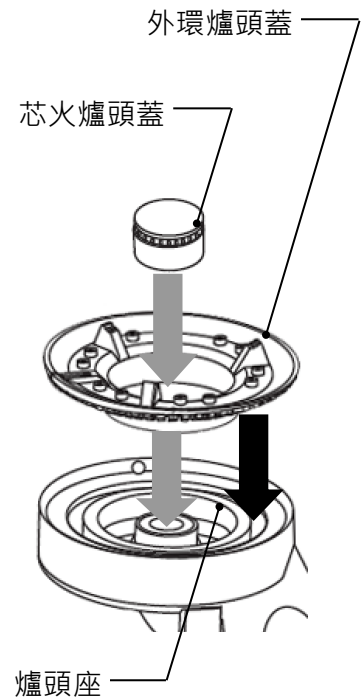
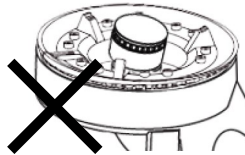
- 爐頭由外環爐頭蓋、芯火爐頭蓋及爐頭座組成。
- 將外環爐頭蓋和芯火爐頭蓋分別放置在外環爐頭座上 and 芯火爐頭座上，放置時請勿傾斜。

- ⊘ 不要在爐頭蓋錯誤放置的情況下使用爐具。
- 若爐頭蓋未放置正確，會導致無法點火。
 - 火焰不均和回火會導致不完全燃燒、一氧化碳中毒和爐頭變形。
 - 火焰進入爐具內，會導致損毀。

外環爐頭蓋傾斜



芯火爐頭蓋傾斜

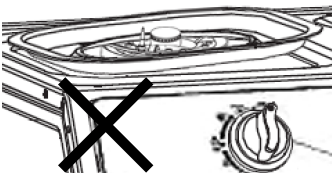


爐碟及爐架放置

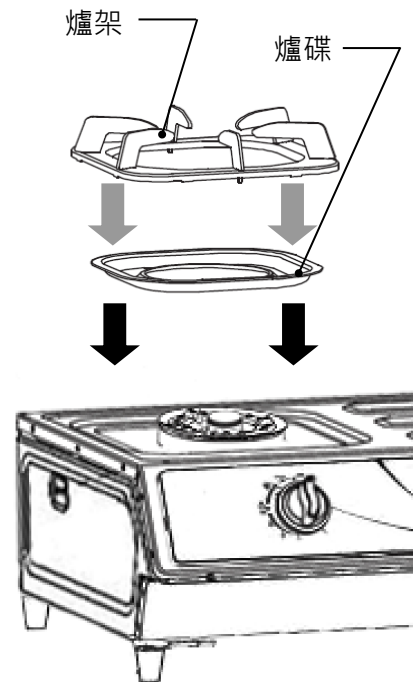
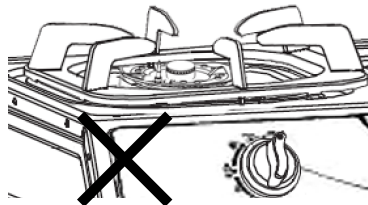
- 將爐碟及爐架正確放置於爐具上。

- ⊘ 不要在爐碟或爐架錯誤放置的情況下使用爐具。錯誤放置爐碟或爐架有機會導致鍋子不穩，並引致危險。

爐碟放置錯誤



爐架放置錯誤



操作指示

點燃爐頭

確認火力控制旋鈕已於關閉位置「OFF」。按下旋鈕同時以逆時針方向轉動旋鈕至點火位置，並維持按下狀態約 5 秒。當旋鈕到達點火位置時會發出咔嚓聲，此屬正常現象。放開旋鈕後，確定火焰維持。

注意：如爐具長時間未有使用，於首次點燃時有機會因喉管內含有空氣而未能令爐頭點燃成功。將火力控制旋鈕轉至關閉位置「OFF」，並重複上述點燃步驟至成功點燃爐頭。

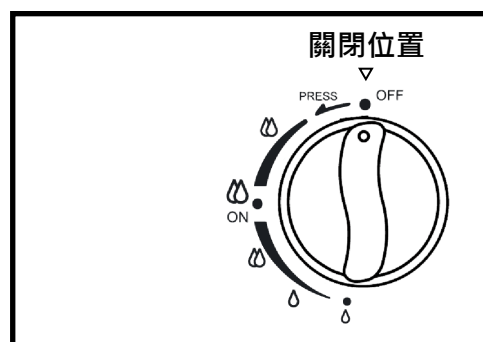
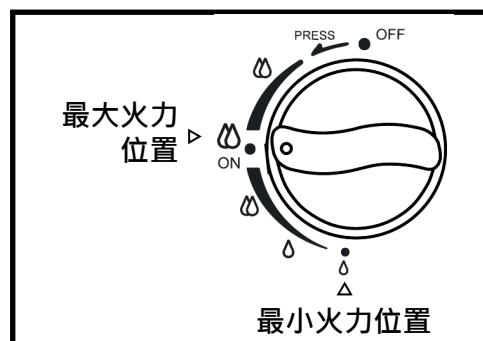
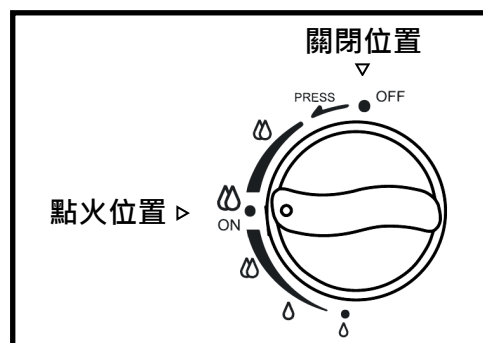
火力調節

爐頭點燃後，轉動火力控制旋鈕調節火力大小。

熄火

將火力控制旋鈕轉動至關閉位置「OFF」。

注意：熄火時有機會因殘留在爐頭內的氣體瞬間燃燒而出現響聲，此屬正常現象。



保養

注意：待爐具完全冷卻後，才可進行任何保養及清潔。清潔時，亦應配戴手套保護雙手。

為妥善保養爐具，遵照以下指示定期清潔爐具：

- 請勿使用蒸氣清潔爐具；
- 請使用適當清潔用品清潔金屬及搪瓷部份。使用非研磨及非腐蝕性的清潔劑，避免使用含氯清潔劑（如漂白劑）；
- 避免酸性或鹼性物質（如醋、鹽水、檸檬汁等）殘留在爐具；
- 煮食時如有液體溢出，應待爐頭冷卻後盡快清理；
- 定期使用暖水及清潔劑清洗爐頭蓋，將污漬去除，並保持爐頭火孔暢通；
- 清潔後須完全抹乾爐頭蓋，並確定爐頭火孔未被堵塞；
- 將爐頭蓋正確放回爐頭座，不可傾斜或反轉；
- 定期檢查熄火安全裝置，如有污物黏附，用軟刷將污物去除。

故障處理

注意：於重新點火前，請將火力控制旋鈕轉回關閉位置「OFF」。

確保爐具完全冷卻後，才進行任何故障處理。如採取以下補救措施後仍然無效，請致電煤氣公司安排維修，電話：2880 6988。

故障	原因	處理方法
1. 沒有點火或爐火	壓電式點火器壞了。	聯繫煤氣公司更換零件。
	仍未開啟煤氣錶閥及 / 或爐具供氣閥。	完全開啟煤氣錶閥及 / 或爐具供氣閥。
	喉管內含有空氣。	重複點火直至喉管內空氣完全排出。
	錫紙碟阻塞爐頭。	除去錫紙碟。
2. 不能保持爐火	熄火安全裝置上有污垢。	清理熄火安全裝置。
	未按盡控制旋鈕或控制旋鈕沒有轉至點火位置。	完全按下控制旋鈕及轉至點火位置。
	按下火力控制旋鈕的時間過短。	維持按下火力控制旋鈕5秒。
3. 使用中熄火	熄火安全裝置上有污垢。	清理熄火安全裝置。
	小火被風吹熄。	等待1分鐘，重新點火。
4. 黃火	爐頭蓋有污垢。	以暖水和清潔劑清洗爐頭蓋，抹乾及放好後，重新點火。
5. 火焰不穩定	爐頭蓋變形。	聯繫煤氣公司更換零件。
	爐頭蓋擺放不正確。	待爐具冷卻後，重新放好爐頭蓋。重新點火。
6. 使用中出現異常聲	爐頭蓋擺放不正確。	待爐具冷卻後，重新放好爐頭蓋。重新點火。
7. 關火時出現響聲	殘留在爐頭內的氣體瞬間燃燒。	正常現象。

技術規格

型號		SUZH2H
氣體種類		香港煤氣
爐頭數目		2
額定熱負荷	總	10.2 千瓦
	左爐頭	5.2 千瓦
	右爐頭	5.2 千瓦
供氣壓力		1.5 千帕
氣體入口接駁		½吋英制陽螺紋
整體尺寸 (高x闊x深)	爐腳至爐面	180 毫米 x 713 毫米 x 380 毫米
	爐腳至爐架	215 毫米 x 713 毫米 x 380 毫米
重量		8.0 千克
熄火安全裝置		熱電偶式
點火裝置		壓電式點火器

Contents

Important Safety Instructions	P.	9
Installation Instructions	P.	11
Operation Instructions	P.	13
Maintenance	P.	13
Troubleshooting	P.	14
Specifications	P.	15

Attention!

According to the Gas Safety Ordinance of Hong Kong, any gas installation works including the installation of appliances and connection tubing, must be undertaken by registered gas installers who are registered for that appropriate classes and be employed by registered gas contractors.

Important Safety Instructions

The following instructions are very important to safe operation of gas appliance. Please read through them carefully. Please contact Towngas 24-Hour Customer Service Hotline on 2880 6988 for enquiry and services.

Installation

1. Use approved gas tubing bearing EMSD approval marking (such as: 機電工程署批准 EMSD APPROVAL GTXXXX), or other appropriate methods accepted by EMSD.
2. Do not store any combustible materials, e.g. paper and plastic, under or near to the appliance. The appliance should be installed with a distance of more than 150mm away from surrounding combustible materials.
3. Install the appliance in a well-ventilated room.

Operation

1. In case of suspected gas leak, open windows and shut off gas meter valve. Do not operate any electric appliances or switches. Do not use any phones on site. Contact Towngas 24-Hour Emergency Hotline on 2880 6999 with a phone outside the premises.
2. Please use the appliance properly according to the operating instructions.
3. This appliance is designed for domestic use only. Do not use it for commercial purposes.
4. Do not use the appliance for any purposes other than cooking, e.g. drying clothes.
5. Open windows and turn on ventilation system before operating the appliance.
6. Do not allow kids to use appliance.
7. Do not leave operating appliance unattended.
8. Do not add aluminum discs to burner. This will incur combustion problem.
9. Ensure that burner caps are not deformed. Contact Towngas Company to replace the parts if abnormality is found.
10. Before use, ensure the burner cap and pan support are in correct position and are not tilted.
11. Ensure that flame holes of burners are free from water and dirt.
12. Do not put weight exceeding 10kg on pan support.
13. Pan support is heavy. Do not drop it.
14. Make sure that flame condition is uniform during operation.
15. Heed high temperature of top plate, burner and pan support.
16. Do not use flat bottom pot of diameter larger than 300mm to avoid the risk of scald by high temperature and reduce the service life of the appliance.
17. When using small utensil, reduce flame power that flame does not escape from utensil bottom.
18. Ensure stability of utensil resting on pan support. Hold utensil firmly if it slips easily.
19. Do not fill water including soup ingredients over two-thirds of utensil volume when boiling water or soup. Spilled liquid of boiling will affect combustion and damage the appliance.
20. Always use pots with a cover and make sure that the handles of the pots are correctly positioned to avoid heating and collision of handles.
21. Do not use sprays near the appliance.
22. Knob should be turned to the "OFF" position, after use.
23. Clean and tidy up the burner cap after spillage of food and liquid to avoid blockage of burner flame holes once the appliance cools down.
24. If abnormal noise is observed, turn off flame. Check placement of burner caps and place them correctly after appliance cools down. Contact Towngas Company for inspection if problem persists.

Important Safety Instructions

Maintenance

1. Check condition of gas hose regularly. Ensure that it is free from kink or crack. Contact Towngas Company to replace it if damage is found.
2. Allow the appliance to cool down completely before cleaning.
3. Wear gloves to protect the hands from cut injury when cleaning the appliance.
4. Dry burner caps completely with dry cloth after washing. Flame holes of burners must be free from water lest combustion is affected.
5. Before and after use, notice the condition and cleanliness of burners. The following abnormal conditions will incur abnormal combustion and thus damage of the appliance. Ensure undertaking measures to rectify the problem accordingly.

Abnormal Condition	Handling Measure
Burner caps are deformed	Contact Towngas Company to replace the parts.
Burner caps are tilted	Place burner caps properly. Burner caps must not be tilted.
Burner flame holes are blocked by water	Dry burner caps with cloth and place them properly.
Burner flame holes are blocked by dirt	Clean burner caps with mild detergent and brush. Dry burner caps with cloth and place them properly.

Installation Instructions

Installation Position

Install the appliance in a well-ventilated room but not at the location of strong wind. Keep it away from any flammable objects (such as paper, oil), sprays or pressurized containers. The appliance should be installed with a distance of more than 150mm away from surrounding combustible materials. Allow 650mm or more clearance above appliance. If range hood is installed above the appliance and it requires larger separation, adopt the larger value of separation.

Appliance Installation

Position the appliance onto the bench-top. Ensure the bench-top is stable and flat.

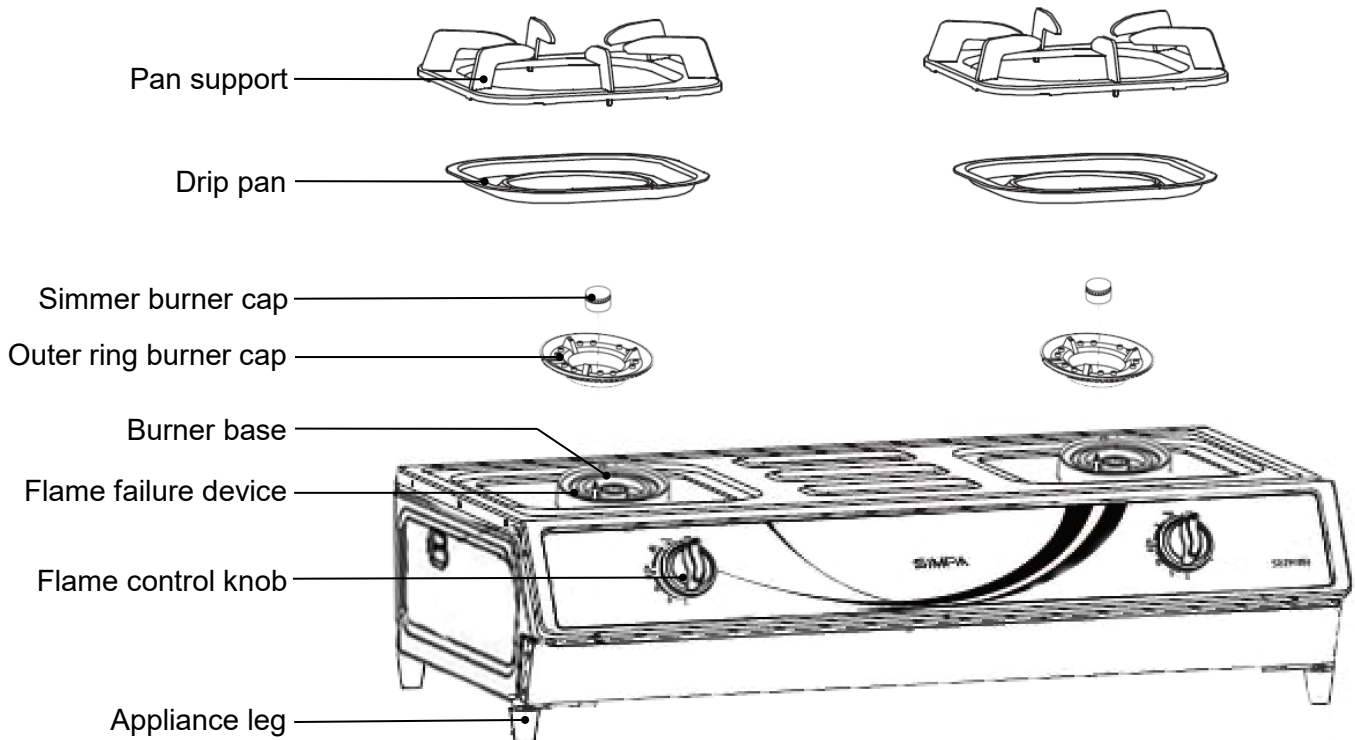
Gas Connection

Connect the gas appliance to the gas supply according to the prescribed standards in force, and ensure that the appliance matches with the type of gas supply. Furthermore, check that the supply pressure is 1.5kPa.

Attention: The gas connection is ½" B.S.P male thread. Use approved gas tubing for connecting to appliance. Flexible tubing must not be longer than 2000 mm. Tubing shall not touch any moving parts, be kinked or compressed. After connection, check gas soundness of piping. Never use naked flame for checking.

Completing Installation

Make sure that all the parts are fitted properly before use.



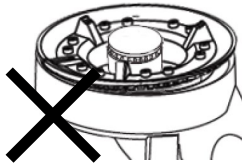
Installation Instructions

Placement of Burner

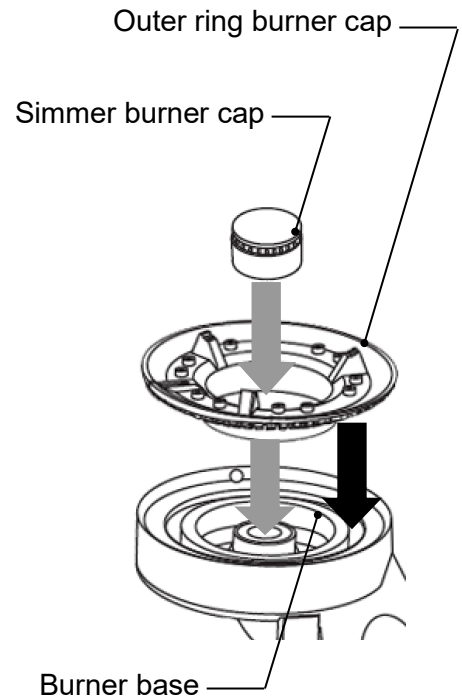
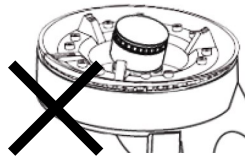
- Burner is composed of outer ring burner cap, simmer burner cap and burner base.
- Place the outer ring burner cap and simmer burner cap onto the burner base without tilting.

- ⊘ **Do not use appliance with burner caps positioned improperly.**
- It may not be ignited if burner caps are not fixed properly.
 - It may cause incomplete combustion, risk of carbon monoxide poisoning and burner deformation, due to uneven flame shape and lighting back.
 - It may cause flame getting into the appliance and damage it.

Tilted
outer ring burner cap



Tilted
simmer burner cap

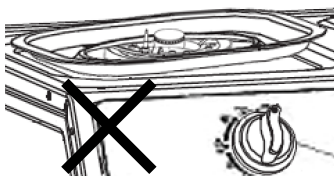


Placement of Drip Pan & Pan Support

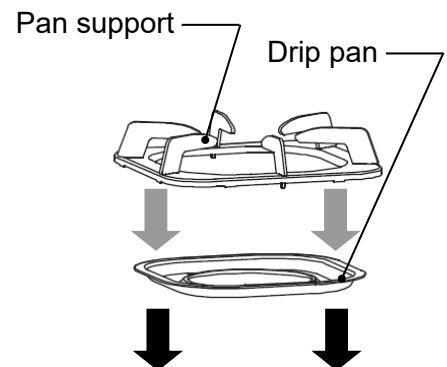
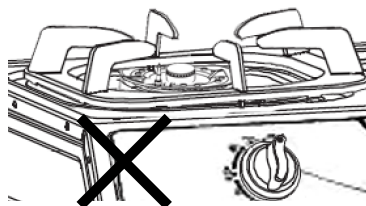
- Place the drip pans and pan supports to the appliance properly.

- ⊘ **Do not use appliance with drip pans or pan supports positioned improperly. Due to improper placement of drip pan or pan support, cooking utensil may become unstable and cause hazard.**

Improper
placement of drip pan



Improper
placement of pan support



Operation Instructions

Ignition of Burner

Ensure the flame control knob is at the “OFF” position. Press and turn the knob in anti-clockwise direction to ignition position. Hold the pressing status for 5 seconds. With a normal ignition, a clack sound will be emitted when the knob reaches the ignition position. After releasing the knob, make sure the flame persists.

Attentions: If the appliance has not been used for a long time, the first ignition may not succeed due to the trapped air in the gas pipe. Turn the flame control knob to the “OFF” position. Repeat the above ignition procedures until success of burner ignition.

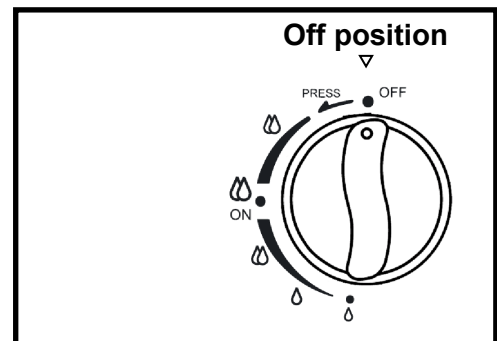
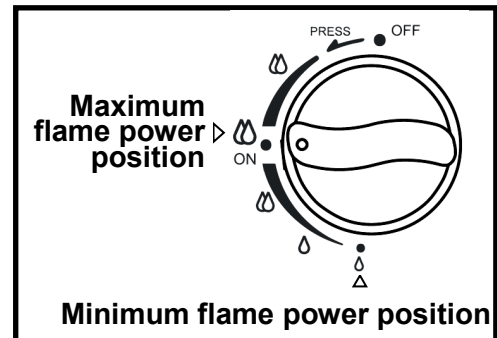
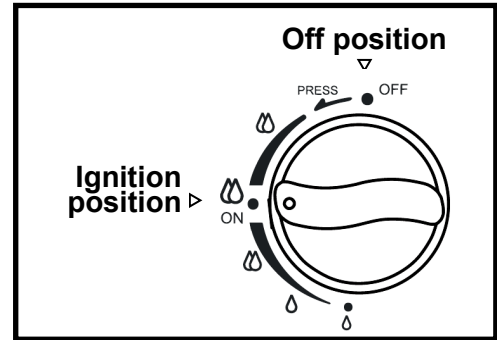
Flame Control

After ignition, turn the flame control knob to adjust flame power.

Flame Extinguishing

Turn the flame control knob to the “OFF” position.

Attentions: Pop sound might be generated during the flame extinguishing due to the instant combustion of gas remained in burner. This is a normal phenomenon.



Maintenance

Attention: Allow the appliance to cool down before performing any maintenance and cleaning. Wear gloves to protect the hands while cleaning.

To maintain the appliance properly, follow the following instructions to clean it regularly:

- Do not use steam cleaners for cleaning appliance;
- The metal and enameled parts must be cleaned with suitable non-abrasive and non-corrosive detergents. Avoid using chlorine-based detergents (e.g. bleach);
- Avoid leaving acidic or alkaline substances on the appliance (e.g. vinegar, brine, lemon juice, etc.);
- Clean and tidy up the burner after spillage of liquid once it cools down;
- The burner caps must be washed regularly with warm water and detergent. Remove any grime and keep the flame holes of burner away from blockage;
- Dry the burner caps completely after wash and check all flame holes of burner are not clogged;
- Re-fix burner caps into burner base. Ensure that they are not tilted or reversed;
- Regularly check the flame failure devices. In case of sticking with stains, clean them with soft brush.

Troubleshooting

Attention: Before restarting ignition, return the flame control knob to the “OFF” position.

Ensure that the appliance cools down completely before undertaking remedial measures. If not effective after undertaking the following remedial actions, please contact Towngas Company on 2880 6988 for services.

Fault	Cause	Remedy
1. No ignition or flame	Piezoelectric spark ignitor fails.	Contact Towngas Company to replace the part.
	Gas meter valve and / or appliance gas supply valve is turned off.	Open gas meter valve and/or appliance gas supply valve completely.
	Air is trapped inside gas pipe.	Repeat ignition until trapped air is removed.
	Burner is blocked by aluminum disc.	Remove aluminum disc.
2. Flame does not persist	Flame failure device is dirty.	Clean flame failure device.
	Flame control knob is not fully pressed or not turned to the ignition position.	Fully press and turn the flame control knob to the ignition position.
	Holding time of flame control knob is too short.	Keep pressing flame control knob for 5 seconds.
3. Flame off when using	Flame failure device is dirty.	Clean flame failure device.
	Minimum flame is blown off by wind.	Wait for 1 minute and restart ignition.
4. Yellow flame	Burner caps have dirt.	Wash burner caps in warm water with detergent. Dry and place them at correct position. Restart ignition .
5. Unstable flame	Deformation of burner caps.	Contact Towngas Company to replace the parts.
	Incorrect placement of burner caps.	Place burner caps correctly after appliance cools down and restart ignition.
6. Abnormal noise when using	Incorrect placement of burner caps.	Place burner caps correctly after appliance cools down and restart ignition.
7. Pop sound when flame extinguishing	Instant combustion of gas remained in burner.	Normal phenomenon.

Specifications

Model		SUZH2H
Gas Type		Hong Kong Town Gas
Burner Number		2
Rated Heat Input	Total	10.2 kW
	Left Burner	5.2 kW
	Right Burner	5.2 kW
Gas Supply Pressure		1.5 kPa
Gas Inlet Connection		½" B.S.P Male
Dimensions (Height x Width x Depth)	Leg To Top Plate	180 mm x 713 mm x 380 mm
	Leg To Pan Support	215 mm x 713 mm x 380 mm
Weight		8.0 kg
Flame Failure Safety Device		Thermoelectric Type
Ignition Device		Piezo Electric Spark Ignition Device



香港中華煤氣有限公司
The Hong Kong and China Gas Company Limited

201910