

# SIMPA

座枱煮食爐

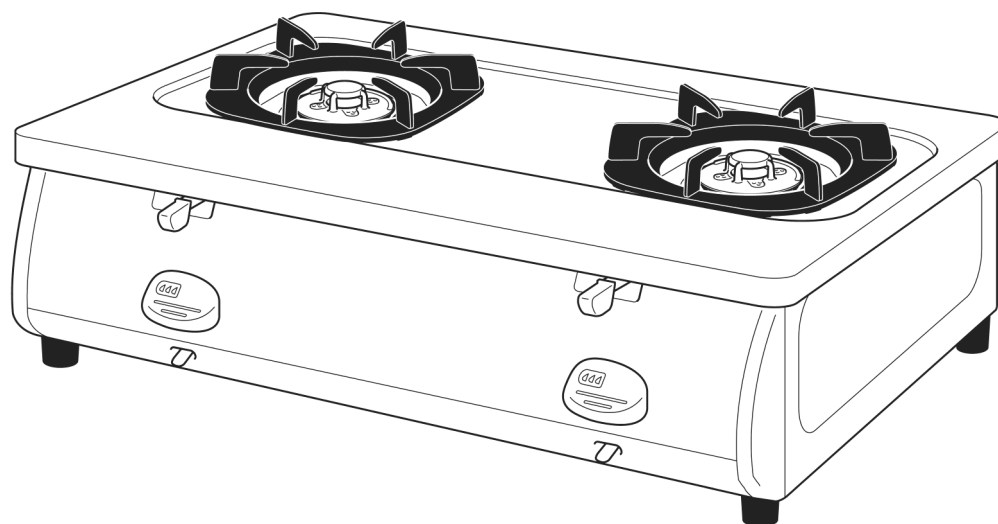
HOTPLATE

型號

Model : RVH2H

使用說明書

Operating Instructions



香港煤氣適用

For Hong Kong Town Gas



重要安全指示 .....	第 1 頁
安裝指示 .....	第 3 頁
操作指示 .....	第 5 頁
保養 .....	第 6 頁
更換電池 .....	第 6 頁
故障處理方法 .....	第 7 頁
規格 .....	第 8 頁

## 注意!

根據香港氣體安全條例，任何氣體裝置工程，包括爐具和接駁喉管的安裝，必須由註冊氣體裝置技工執行，而該技工已於相關的氣體工程類別註冊及受聘於註冊氣體工程承辦商。

## 重要安全指示

以下指示對氣體煮食爐的安全操作十分重要，請詳細閱讀，如有查詢和服務要求，請聯絡煤氣公司 24 小時客戶服務熱線 2880 6988。

### 安裝

1. 使用認可印有機電工程署批准標記 (例如: 機電工程署批准 EMSD APPROVAL GTXXXX) 的氣體接駁喉管連接爐具或使用機電工程署接納的其他恰當方法。
2. 爐具周圍和下方不可放置可燃物品，如紙張、塑膠等，與可燃物料距離須保留 150 毫米以上。
3. 爐具必須安裝在空氣流通之房間內。

### 使用

1. 當懷疑洩漏氣體時，將窗戶打開，以及關閉煤氣錶閥。切勿操作任何電器或電掣開關。切勿在現場使用任何電話。在現場以外的地方，致電煤氣公司緊急事故熱線 2880 6999。
2. 請參照說明書內指引正確使用爐具。
3. 爐具只供家用，切勿用於商業用途。
4. 除煮食外，切勿使用爐具作其他用途，例如烘乾衣物。
5. 使用爐具前，請開啟窗戶及排氣系統。
6. 不可讓兒童使用爐具。
7. 切勿讓爐具在無人看管下運作。
8. 切勿在爐頭加上錫紙碟，這會引致燃燒問題。
9. 使用前，確保爐頭蓋和爐架擺放正確，沒有傾斜。
10. 切勿放置超過 10 公斤的重量在爐架上。
11. 爐架很重，切勿掉下。
12. 請確保使用時火焰平均。
13. 注意爐面、爐頭及爐架的高溫。
14. 切勿使用直徑超過 300 毫米的平底煮食器皿，避免溫度過高而造成燙傷及影響爐具的使用壽命。
15. 使用細小器皿時，請將火力調低，避免火焰超出煮食器皿底部。
16. 請確保器皿穩定地放在爐架上，如器皿容易滑動，必須緊握它。
17. 燒開水或煮湯時，注入的水量連湯料不可超過器皿容量 3 分之 2，溢出液體會影響燃燒和損壞爐具。
18. 烹調時，請儘量蓋上鍋具。而鍋具的手柄亦應轉向適當位置，避免受熱或碰撞。
19. 請勿在爐具附近使用噴霧產品。
20. 使用後，應將所有開關按鈕設於關閉位置。
21. 經常清潔爐頭蓋以保持爐頭火孔暢通，如滾瀉食物及汁液，應在爐具冷卻後儘快作出妥善清潔。
22. 如爐具出現異常聲響，應先關火。在爐具冷卻後，檢查及放好爐頭蓋。若問題持續，聯絡煤氣公司進行檢查。

### 保養

1. 定期檢查氣體喉管狀況，確保沒有紐結或裂縫，若發現損壞，請聯絡煤氣公司更換喉管。
2. 讓爐具完全冷卻後，才可進行清潔。
3. 清潔爐具時，應穿上保護手套避免割傷。
4. 清洗爐頭蓋後，用乾布將爐頭蓋完全抹乾，爐頭火孔不可留有水份，以免影響燃燒。
5. 使用前和使用後，注意爐頭的狀況和清潔。以下不正常狀況會產生燃燒不良，進而引致爐具損壞。請確保採取相應措施，糾正有關問題。

不正常情況	處理措施
爐頭蓋變形	聯絡煤氣公司更換零件。
爐頭蓋傾斜	將爐頭蓋重新放好，不可傾斜。
爐頭火孔被水堵塞	用布將爐頭蓋抹乾後，重新放好。
爐頭火孔被污積堵塞	用溫和洗滌劑和刷子清潔爐頭蓋。用布將爐頭蓋抹乾後，重新放好。

## 安裝指示

### 安裝位置

爐具須安裝在空氣流通之房間內，但切勿置於強風直接吹入的位置。附近不可放置易燃物品（如紙張、油類）、噴霧及壓縮容器。爐具與周圍可燃物料應保持 150 毫米以上的距離。爐具上方須保留最少 650 毫米空間。若上方裝有抽油煙機，並要求更大間距，應採用較大距離。

### 安裝爐具

放置爐具於工作平面，確保所放之處穩固平坦。

### 氣體接駁

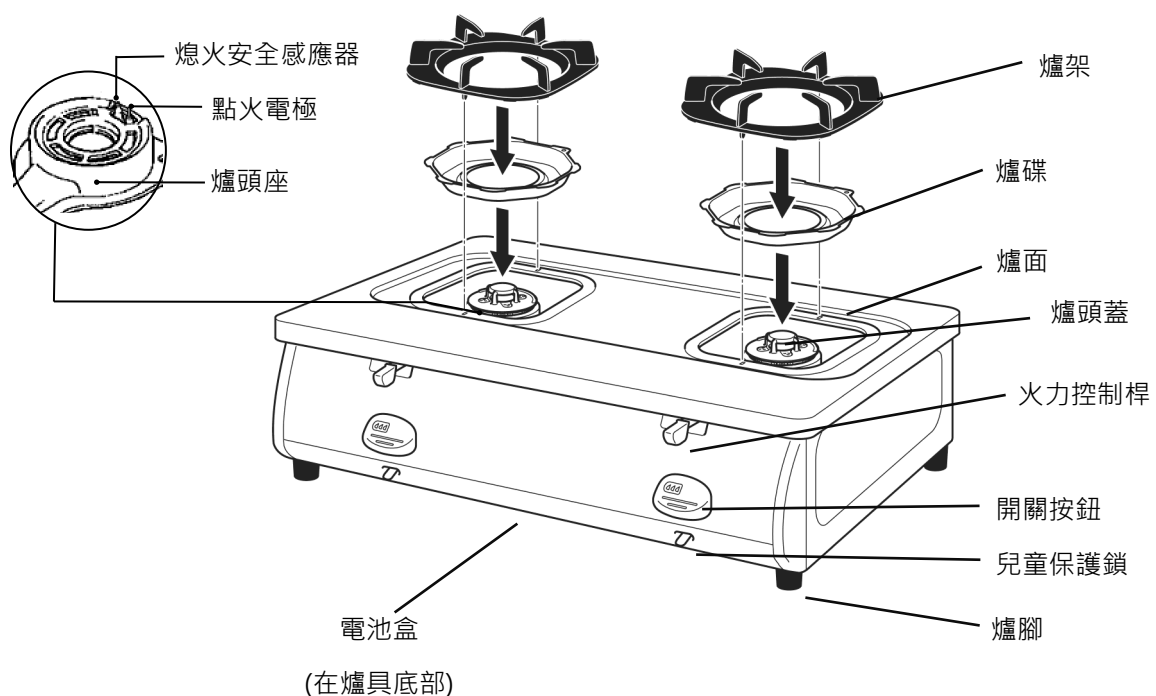
根據現行指定的標準，將氣體爐具連接供氣設施上，接駁前確保爐具符合所供應之氣體類型。此外，檢查供氣壓力是否 1.5 千帕。

**注意：**氣體接頭為 1/2" 吋英制陽螺紋，使用已批准的氣體喉管接駁爐具，氣體軟喉長度不可超過 2000 毫米。確保喉管沒有接觸任何活動部件、被扭曲或被擠壓。接駁完成後，檢查喉管的氣密性。切勿使用明火作檢查。

### 完成安裝

使用前，確定所有部件正確放置。

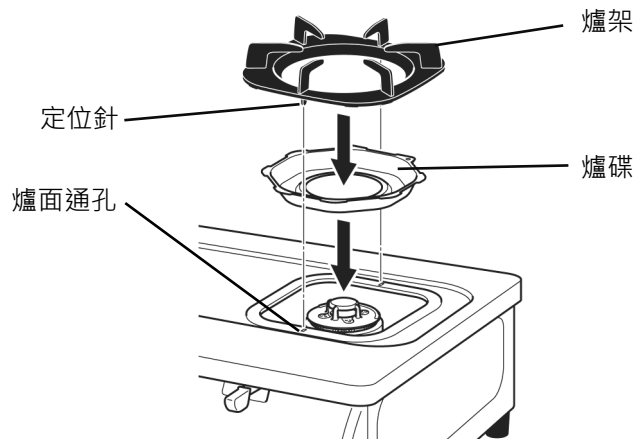
爐具備有熄火安全裝置和防高溫保護裝置，如爐火意外熄滅或因爐頭阻塞而引致不正常燃燒，會自動關閉氣體，確保安全。



## 安裝指示

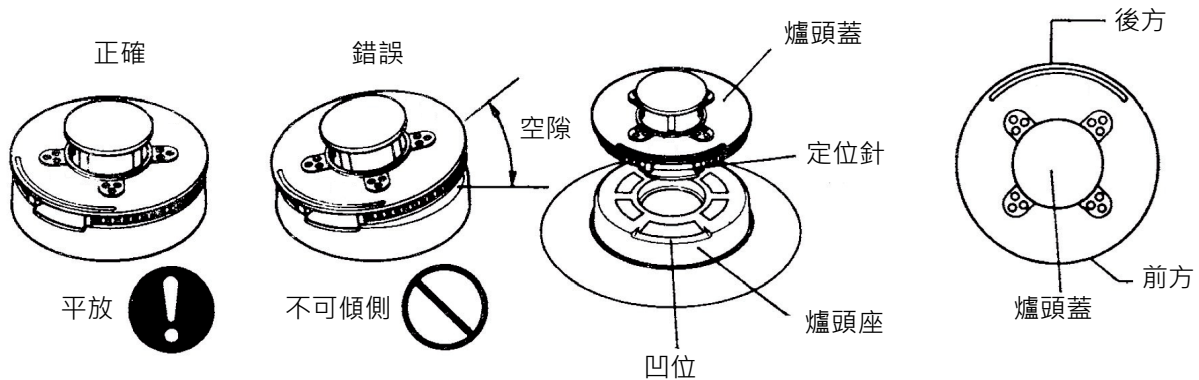
### 1. 爐架

爐架底定位針插入爐面通孔。  
擺放爐架要平放不可傾側；否則  
有機會導致鍋子不穩，並引致危險。



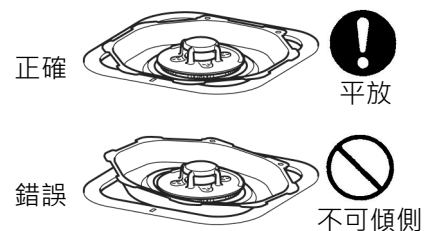
### 2. 爐頭蓋

爐頭由爐頭蓋和爐頭座組成。  
爐頭蓋底定位針插入爐頭座的凹位。  
擺放爐頭蓋要平放不可傾側。  
若爐頭蓋未放置正確，會導致無法點火。  
火焰不均和回火會導致不完全燃燒、一氧化碳中毒或爐頭變形。  
火焰進入爐具內，會導致損毀。



### 3. 爐碟

擺放爐碟時，必須平放，不可傾側。

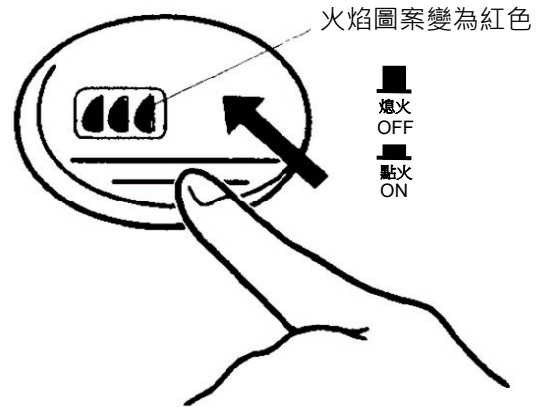


## 操作指示

### 1. 點火

完全按下開關按鈕，按鈕上的火焰圖案變為紅色，火花會點著爐頭，保持按著約 5 秒後鬆開按鈕，爐火會維持。

若爐火不能維持，按一下按鈕返回熄火位置，等待 1 分鐘，讓氣體散走，然後重新點火。

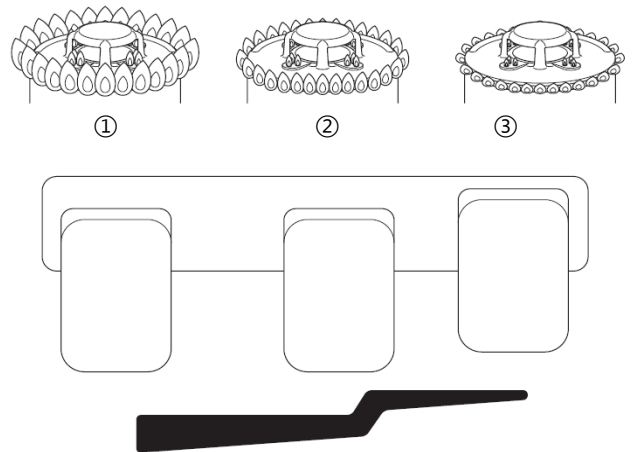


### 2. 火力調節

火力強弱可用火力控制桿在位置 ① 和 ③ 之間調節，請慢慢推火力控制桿。

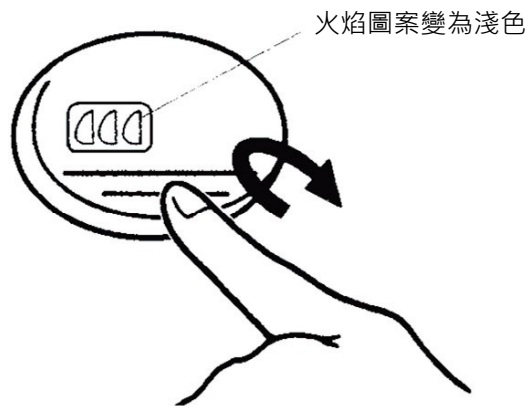
在 ① 位置時，火力最大。在 ③ 位置時，火力最少。

在位置 ② 有個卡位，向右推時，將火力控制桿稍許托起。



### 3. 熄火

按一下按鈕，火焰便熄滅。按鈕會回到關的位置，火焰圖案變為淺色。



### 4. 爐火意外熄滅

如熄火意外熄滅，按一下按鈕，將它返回關閉位置。確保爐頭是清潔後才重新點火。

如爐頭火孔被堵塞，待爐頭冷卻後，進行清理，抹乾後，重新點火。

### 5. 兒童保護鎖

兒童保護鎖位於爐頭的開關按鈕下方。把兒童保護鎖控制桿推向右邊時，開關按鈕便不能按下。

若要點火，請把兒童保護鎖控制桿推回左邊。





## 保養

注意：待爐具完全冷卻後，才可進行任何保養及清潔。清潔時，亦應配戴手套保護雙手。

為妥善保養爐具，遵照以下指示定期清潔爐具：

- 請勿使用蒸氣清潔爐具；
- 使用適當非研磨及非腐蝕性的清潔劑清潔金屬及搪瓷部份，避免使用含氯清潔劑（如漂白劑）；
- 避免酸性或鹼性物質（如醋、鹽水、檸檬汁等）殘留在爐具；
- 煮食時如有液體溢出，應待爐具冷卻後儘快清理；
- 定期使用暖水及清潔劑清洗爐頭蓋，將污漬去除，並保持爐頭火孔暢通；
- 清潔後須完全抹乾爐頭蓋，並確定爐頭火孔未被堵塞；
- 將爐頭蓋正確放回爐頭座，不可傾斜或反轉；
- 定期檢查熄火安全感應器和點火電極，如有污物黏附，用軟刷將污物去除。

## 更換電池

如電火花打火變慢（慢至每秒兩至三下），應換電池。

當低電量時，爐具仍然可以操作。

準備一枚新 C 型電池作替換。

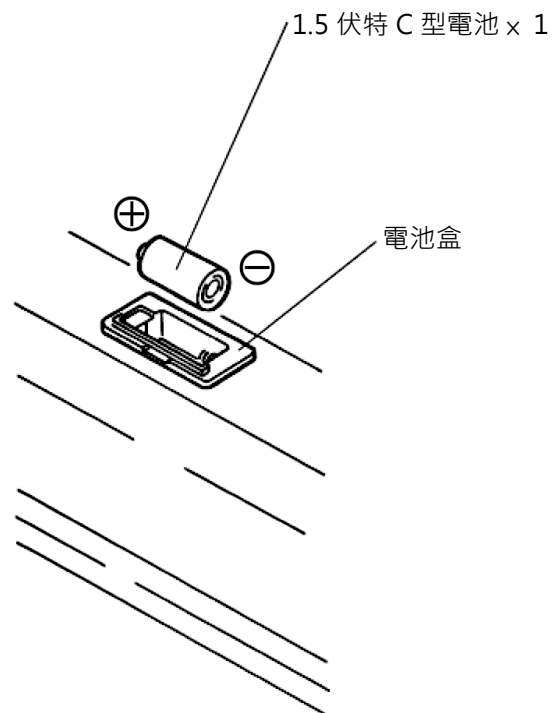
當電池耗盡，爐具便不能操作，必須更換新電池。

電池盒在前下方中間位置。

更換電池，注意電池的電極方向，若擺放錯誤，爐具便不能操作。

溫馨提示：

一枚新電池的使用壽命約 1 年。內附電池的壽命，可能會因爐具的庫存時間而受影響。



## 故障處理方法

有些故障是可以由使用者處理，但如採取以下補救措施後仍然無效，請致電煤氣公司客戶服務熱線 2880 6988。

故障	原因	處理方法
1. 沒有點火	點火電極濕了。	以乾布抹乾點火電極。
	點火電極有污穢。	清理點火電極。
	電池已耗盡。	更換電池。
	電池電極擺放錯誤。	重新放好電池。
2. 沒有火焰	仍未開啟煤氣錶閥及 / 或爐具供氣閥。	完全開啟煤氣錶閥及 / 或爐具供氣閥。
	錫紙阻塞爐頭。	拿去錫紙。
	點火電極十分骯髒。	清理點火電極上的污垢。
3. 不能保持爐火	未按盡開關按鈕。	按盡開關按鈕，並保持按下數秒。
4. 使用中熄火	用小火時被風吹熄。	等待1分鐘，重新點火。
	煮食溢出物阻塞爐頭，引致不正常燃燒，啟動了防高溫保護裝置。	待爐頭冷卻後，清潔和抹乾爐頭，然後重新點火。
5. 黃火	爐頭有污穢。	以暖水和清潔劑清洗爐頭蓋，將它抹乾和放好後，重新點火。
6. 火焰不穩定	爐頭蓋擺放不正確。	冷卻後，重新放好爐頭蓋，再點火。
7. 使用中出現異常	爐頭蓋擺放不正確。	將爐具熄火，待爐具冷卻後，重新放好爐頭蓋，重新點火。
8. 關火時出現響聲	殘留在爐頭內氣體瞬間燃燒。	正常現象。

## 規格

型號		RVH2H	
氣體種類		香港煤氣	
額定熱負荷 (千瓦)	總	10.1	
	左爐頭	5.2	
	右爐頭	5.2	
供氣壓力 (千帕)		1.5	
氣體接頭		1/2 吋 英制陽螺紋	
整體尺寸 (毫米)	高	至爐面	180
		至爐架	218
	寬		590
	深	爐身	442
		至氣體接頭	486
重量 (千克)		7.0	
熄火安全裝置		熱電偶式	
防高溫保護裝置		雙金屬溫度開關	
電力供應		1.5 伏特 C 型電池 (1 枚)	



Important Safety Instructions.....	P. 11
Installation Instructions.....	P. 13
Operating Instructions .....	P. 15
Maintenance.....	P. 16
Change Battery .....	P. 16
Troubleshooting.....	P. 17
Specifications .....	P. 18

### **Attention!**

According to the Gas Safety Ordinance of Hong Kong, any gas installation works including the installation of appliances and connection tubing, must be undertaken by registered gas installers who are registered for that appropriate classes and be employed by registered gas contractors.

## Important Safety Instructions

The following instructions are very important to safety operation of gas hotplate. Please read through them carefully. Please contact Towngas 24-hour Customer Service Hotline on 2880 6988 for enquiry and services.

### Installation

1. Use approved gas tubing bearing EMSD approval marking (such as: 機電工程署批准 EMSD APPROVAL GTXXXX) for connection to appliances, or other appropriate methods accepted by EMSD.
2. Do not put any combustible materials, e.g. paper and plastic near or under appliance. The appliance should be installed with a distance more than 150mm distance away from combustible materials.
3. Install the appliance in a well-ventilated room.

### Operation

1. In case of suspected gas leak, open windows and shut off gas meter valve. Do not operate any electric appliances or switches. Do not use any phones on site. Contact Towngas Emergency Hotline on 2880 6999 with a phone outside the premises.
2. Please use the appliance properly according to the operating instructions.
3. This appliance is designed for domestic use only. Do not use it for commercial purposes.
4. Do not use the appliance for any purposes other than cooking, e.g. drying clothes.
5. Open windows and turn on ventilation system before operating the appliance.
6. Do not allow kids to use appliance.
7. Do not leave operating appliance unattended.
8. Do not add aluminum discs to burners. This will incur combustion problem.
9. Before use, ensure the burner caps and pan supports are in correct position and are not tilted.
10. Do not put weight exceeding 10kg on pan support.
11. Pan support is heavy. Do not drop it.
12. Make sure that flame condition is uniform during operation.
13. Heed high temperature of top plate, burner and pan support.
14. Do not use flat bottom pot of diameter larger than 300mm to avoid the risk of scald by high temperature and reduce the service life of the appliance.
15. When using small utensil, reduce flame power that flame does not escape from utensil bottom.
16. Ensure stability of utensil resting on pan support. Hold utensil firmly if it slips easily.
17. Do not fill water including soup ingredients over two-thirds of utensil volume when boiling water or soup. Spilled liquid of boiling will affect combustion and damage the appliance.
18. Always use pots with covers and make sure that the handles of the pots are correctly positioned to avoid heating and collision of handles.
19. Do not use sprays near the appliance.
20. ON / OFF buttons should be pressed to off position after use.
21. Clean burner caps regularly to ensure smooth passage of burner flame holes. In case of spillage of food or liquid, clean appliance properly once it cools down.
22. If abnormal noise is observed, turn off flame. Check and place burner caps correctly after appliance cools down. Contact Towngas Company for inspection if problem persists.

## Important Safety Instructions

### **Maintenance**

1. Check condition of gas hose regularly. Ensure that it is free from kink or crack. Contact Towngas Company to replace it if damage is found.
2. Allow the appliance to cool down completely before cleaning.
3. Wear gloves to protect the hands from cut injury when cleaning the appliance.
4. Dry burner caps completely with dry cloth after washing. Burner flame holes must be free from water lest combustion is affected.
5. Before and after use, notice the condition and cleanliness of burner. The following abnormal conditions will incur abnormal combustion and thus damage of the appliance. Ensure undertaking measures to rectify the problem accordingly.

<b>Abnormal Condition</b>	<b>Handling Measure</b>
Burner caps are deformed.	Contact Towngas Company to replace the parts.
Burner caps are tilted.	Place burner caps properly. Burner caps must not be tilted.
Burner flame holes are blocked by water.	Dry burner caps with cloth and place them properly.
Burner flame holes are blocked by dirt.	Clean burner caps with mild detergent and brush. Dry burner caps with cloth and place them properly.

# Installation Instructions

## Installation Position

Install the appliance in a well-ventilated room but not at the position of strong wind. Keep it away from any flammable objects (such as paper, oil), sprays or pressurized containers. The appliance should be installed with a distance of more than 150mm away from surrounding combustible materials. Allow 650mm or more clearance above appliance. If range hood is installed above the appliance and it requires larger separation, adopt the larger value of separation.

## Appliance Installation

Position the appliance onto the bench-top. Ensure the location is stable and flat.

## Gas Connection

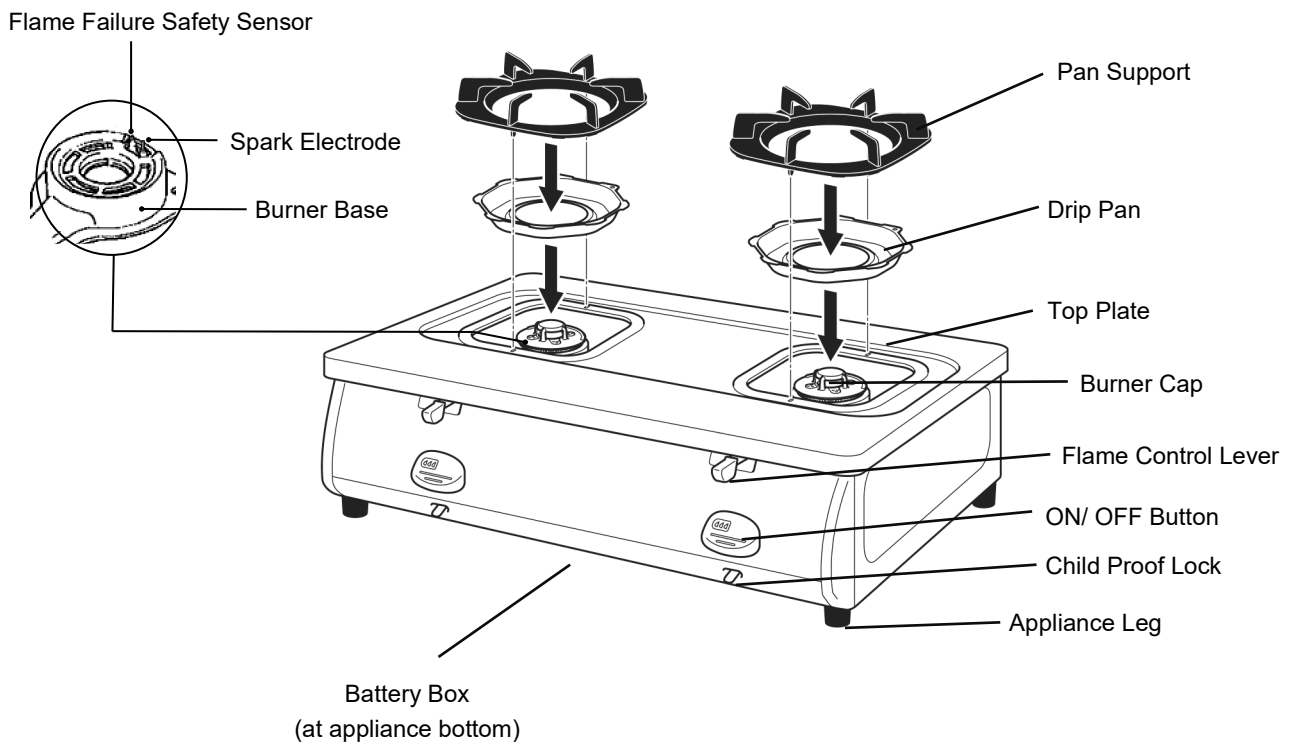
Connect the gas appliance to the gas supply according to the prescribed standards in force, and ensure that the appliance matches with the type of gas supply. Furthermore, check that the supply pressure is 1.5kPa.

**Attention: The gas connection is ½" B.S.P male thread. Use approved gas tubing for connecting to appliance. Flexible tubing must not be longer than 2000 mm. Tubing shall not touch any moving parts, be kinked or compressed. After connection, check gas soundness of piping. Never use naked flame for checking.**

## Completing Installation

Ensure all parts are placed properly before use.

Appliance is equipped with flame failure safety device and overheat protection device. In case of unexpected flame extinguishment or abnormal combustion due to burner blockage, gas is shut off automatically to ensure safety.



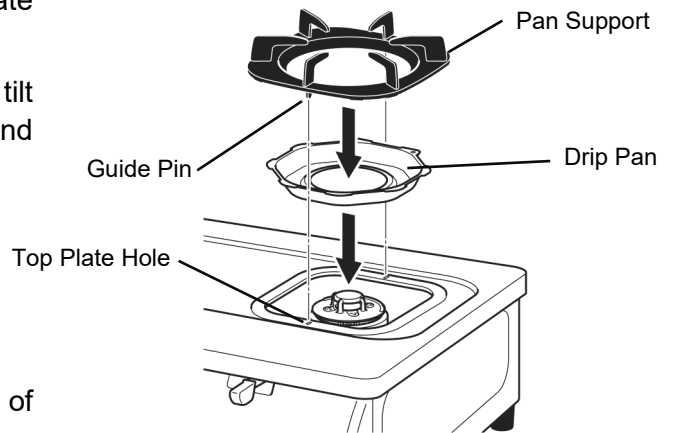


# Installation Instructions

## 1. Pan Support

Insert pan support bottom guide pins into top plate holes.

Place the pan supports horizontally and never tilt them; otherwise it may induce tipping of utensil and risk.



## 2. Burner Cap

Burner is composed of burner cap and burner base.

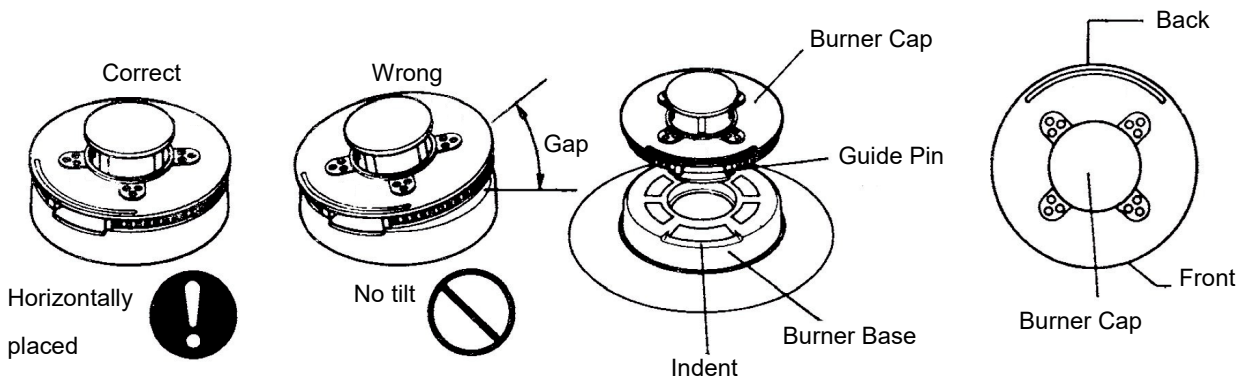
Insert bottom pins of burner caps into indents of burner bases.

Place burner caps horizontally and never tilt them.

It may not be ignited if burner caps are not placed properly.

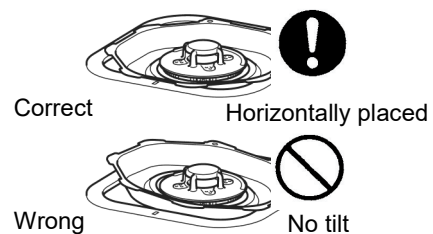
It may cause incomplete combustion, risk of carbon monoxide and burner deformation, due to uneven flame shape and lighting back.

It may cause flame getting into the appliance and damage it.



## 3. Drip Pan

Place drip pans horizontally and never tilt them.

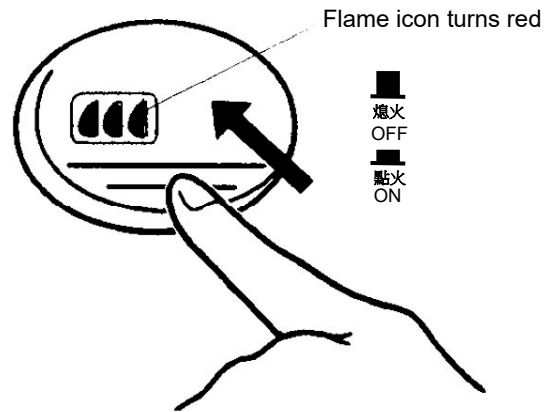


# Operating Instructions

## 1. Ignition

Fully press ON/OFF button. Flame icon of button turns red. Spark will ignite burner. Keep pressing the button about 5 seconds and then release it.

If flame does not persist, press button once to turn off, wait for 1 minute for gas dispersion and then repeat ignition.

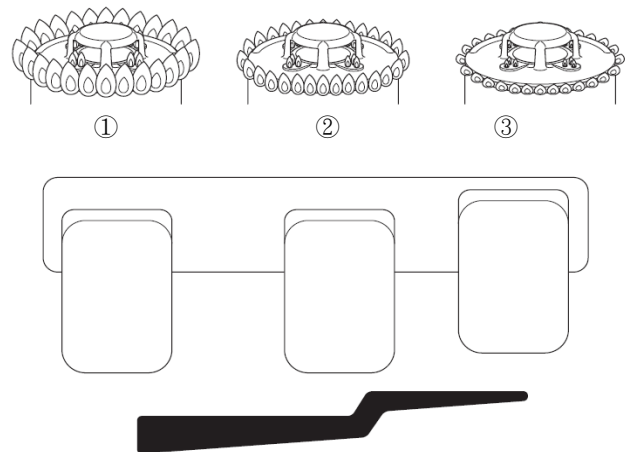


## 2. Flame Adjustment

Flame power is adjusted by flame control lever between positions ① and ③. Please move flame control lever slowly.

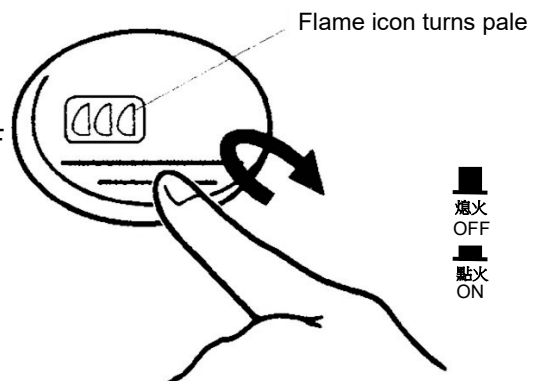
It is maximum flame at position ① and minimum flame at position ③.

There is a click at position ②. Lift flame control lever slightly when moving rightward.



## 3. Turn Off

Press ON/OFF button once. Button returns to OFF position. Flame icon turns to pale colour.



## 4. Accidental Flame Off

If the flame is off unexpectedly, press button once to return to OFF position. Ensure cleanliness of burner before ignite burner again.

If flame holes of burner are blocked, allow burner to cool down before cleaning. Wipe it dry before ignite burner again.

## 5. Child Proof Lock

The child proof lock is located under the ON/OFF button of burner. The ON/OFF button cannot be pressed down when the child proof lock control lever is moved to right side. Please move the child proof lock to left side for ignition.



## Maintenance

**Attention: Allow the appliance to cool down before performing any maintenance and cleaning. Wear gloves to protect the hands while cleaning.**

To maintain the appliance properly, follow the following instructions to clean it regularly:

- Do not use steam cleaners for cleaning;
- The metal and enameled parts must be cleaned with suitable non-abrasive and non-corrosive detergents. Avoid using chlorine-based detergents (e.g. bleach);
- Avoid leaving acidic or alkaline substances on the appliance (e.g. vinegar, brine, lemon juice, etc.);
- Clean and tidy up the appliance after spillage of liquid once it cools down;
- The burner caps must be washed regularly with warm water and detergent. Remove any grime and keep the flame holes of burners away from blockage;
- Dry the burner caps completely after wash and ensure that all flame holes of burner are not clogged;
- Replace burner caps on burner bases correctly. Ensure that they are not tilted or reversed;
- Regularly check the flame failure safety sensors and spark electrodes. In case of sticking with stains, clean them with soft brush.

## Change Battery

Change battery when sparking becomes slow (2 to 3 sparks per second).

When battery power is low, appliance is still operative.

Prepare a new C-size battery for replacement.

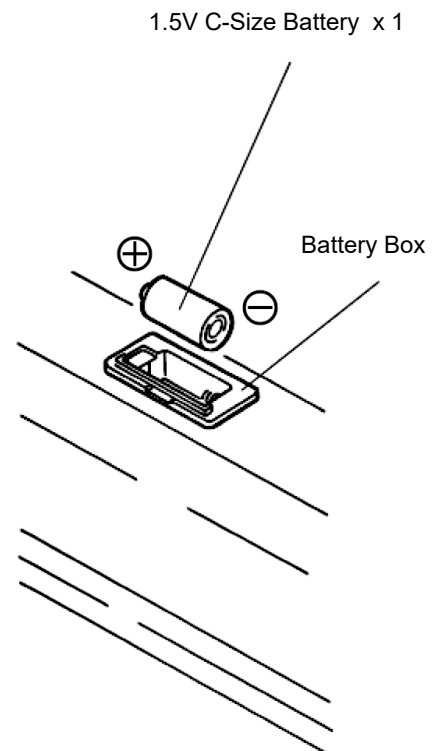
When battery is used up, appliance is not operative, replace new battery.

Battery box is located at middle position of front bottom.

Note the polarity of battery. The hotplate is not operative if the battery is wrongly placed.

### Tips :

Battery life is about one year for a new battery. But life of accessory battery may be affected by storage period of appliance.



## Troubleshooting

Some malfunctions can be handled by user. But if the following remedial actions are not effective, please call Towngas Customer Service Hotline at 2880 6988 .

<b>Fault</b>	<b>Cause</b>	<b>Remedy</b>
1. No ignition	Spark electrode is wet.	Dry the spark electrode with dry cloth.
	Spark electrode has dirt.	Clean the spark electrode.
	Battery is consumed.	Change battery.
	Battery polarity is wrongly placed.	Place battery correctly.
2. No flame	Gas meter valve and / or appliance gas supply valve is turned off.	Open gas meter valve and/or appliance gas supply valve completely.
	Burner is blocked by aluminum foil.	Remove aluminum foil.
	Spark electrode is very dirty.	Clean off the dirt on spark electrode.
3. Flame cannot be held	Not fully press ON/OFF button.	Fully press ON/OFF button, and hold it for several seconds.
4. Flame off when using	Small flame is blown off by wind.	Wait for 1 minute, restart ignition.
	Cooking spillage blocks burner and incurs abnormal combustion that activates overheat protection device.	Allow burner to cool down, clean and dry it, restart ignition.
5. Yellow flame	Burner has dirt.	Wash burner cap in warm water with detergent. Wipe it dry and replace it properly. Restart ignition .
6. Unstable flame	Incorrect placement of burner cap.	After cooling, replace burner cap properly, then restart ignition.
7. Abnormal noise when using	Incorrect placement of burner cap.	Turn off flame. Replace burner cap correctly after appliance cools down and restart ignition.
8. Pop sound when turning off flame	Instant combustion of gas remained in burner.	Normal phenomenon.

## Specifications

Model		RVH2H	
Gas Type		Hong Kong Town Gas	
Rated Heat Input (kW)	Total		10.1
	Left Burner		5.2
	Right Burner		5.2
Gas Supply Pressure (kPa)			1.5
Gas Inlet Connection			1/2 inch B.S.P (Male)
Overall Dimensions (mm)	Height	To top plate	180
		To pan support	218
	Width		590
	Depth	Body	442
		To gas connection	486
Weight (kg)			7.0
Flame Failure Safety Device			Thermoelectric type
Overheat Protection			Bimetal thermal switch
Power Supply			1.5V C-size battery (1 pc)



香港中華煤氣有限公司  
**The Hong Kong and China Gas Company Limited**

JK0071-023(00)

202101 ©