



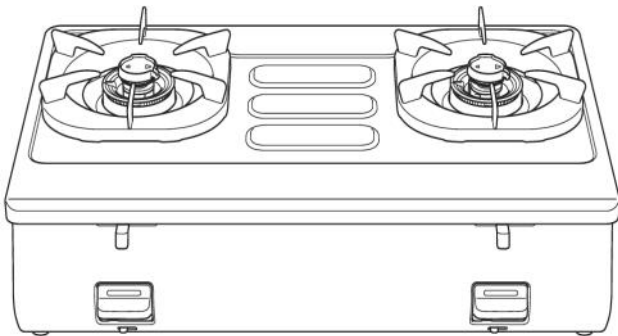
雙頭爐

Two - Burner Hotplate

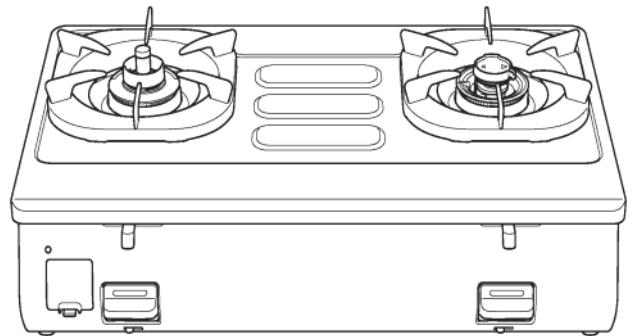
型號 : RJH2H
Model : RJH2HP
RJH2HT

使用說明書

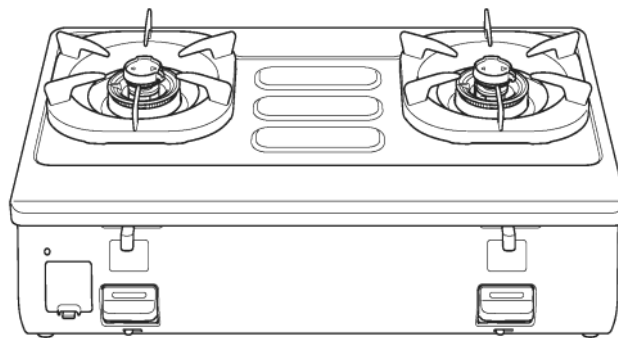
User Instructions



RJH2H
火霸王
Hot Shot



RJH2HP
火霸王(附有過熱熄火功能)
Hot Shot (with Overheat Shutoff
Function)



RJH2HT
依時火霸王
Timer Hot Shot

香港煤氣適用

For Hong Kong Town Gas

目錄

重要安全指示	第 1 頁
安裝指示	第 3 頁
操作指示	第 6 頁
保養	第 9 頁
故障處理	第 10 頁
技術規格	第 12 頁

注意!

根據香港氣體安全條例，任何氣體裝置工程，包括爐具和接駁喉管的安裝，必須由註冊氣體裝置技工執行，而該技工已於相關的氣體工程類別註冊及受聘於註冊氣體工程承辦商。

重要安全指示

感謝閣下選用 TGC 產品！以下指示對氣體爐具的安全操作十分重要，請詳細閱讀。如有查詢或需要維修服務，請聯絡煤氣公司 24 小時客戶服務熱線 2880 6988。

安裝

1. 使用認可印有機電工程署批准標記 (例如: 機電工程署批准 EMSD APPROVAL GTXXXX) 的氣體接駁喉管連接爐具或使用機電工程署接納的其他恰當方法。
2. 爐具周圍和下方切勿放置可燃物品，如紙張、塑膠等，與可燃物料距離須保留 150 毫米以上。
3. 爐具必須安裝在空氣流通之房間內。
4. 不需安裝外置穩壓器。

使用

1. 當懷疑洩漏氣體時，將窗戶打開，以及關閉煤氣錶閥。切勿操作任何電器或電掣開關。切勿在現場使用任何電話。在現場以外的地方，致電煤氣公司緊急事故熱線 2880 6999。
2. 請參照說明書內指引正確使用爐具。
3. 爐具只供家用，切勿用於商業用途。
4. 除煮食外，切勿使用爐具作其他用途，例如烘乾衣物。
5. 使用爐具前，請開啟窗戶及排氣系統。
6. 切勿讓兒童使用爐具。
7. 切勿讓爐具在無人看管下運作。
8. 切勿在爐頭加上錫紙碟，這會引致燃燒問題。
9. 使用前，確保爐頭蓋、爐碟和爐架擺放正確，沒有傾斜。
10. 切勿放置超過 10 公斤的重量在爐架上。
11. 爐架很重，切勿掉下。
12. 請確保使用時火焰平均。
13. 注意爐面、爐頭及爐架的高溫。
14. 切勿使用直徑超過 300 毫米的平底煮食器皿，避免溫度過高而造成燙傷及影響爐具的使用壽命。
15. 使用細小器皿時，請將火力調低，避免火焰超出煮食器皿底部。
16. 請確保器皿穩定地放在爐架上，如器皿容易滑動，必須緊握它。
17. 燒開水或煮湯時，注入的水量連湯料不可超過器皿容量 3 分之 2，溢出液體會影響燃燒和損壞爐具。
18. 烹調時，請儘量蓋上鍋具。而鍋具的手柄亦應轉向適當位置，避免受熱或碰撞。

重要安全指示

19. 請勿在爐具附近使用噴霧產品。
20. 使用後，應將所有開關按鈕設於關閉位置。
21. 經常清潔爐頭蓋以保持爐頭火孔暢通，如滾瀉食物及汁液，應在爐具冷卻後儘快作出妥善清潔。
22. 如爐具出現異常聲響，應先關火。在爐具冷卻後，檢查及放好爐頭蓋。若問題持續，聯絡煤氣公司進行檢查。

保養

1. 定期檢查氣體喉管狀況，確保沒有扭結或裂縫，若發現損壞，請聯絡煤氣公司更換喉管。
2. 讓爐具完全冷卻後，才可進行清潔。
3. 進行清潔時，應穿上保護手套避免割傷。
4. 清洗爐頭蓋後，用乾布將爐頭蓋完全抹乾，爐頭火孔不可留水份，以免影響燃燒。
5. 使用前和使用後，注意爐頭的狀況和清潔。以下不正常狀況會產生燃燒不良，進而引致部件損壞。請確保採取相應措施，糾正有關問題。

不正常情況	處理措施
爐頭蓋變形	聯絡煤氣公司更換零件。
爐頭蓋傾斜	將爐頭蓋重新放好，不可傾斜。
爐頭火孔被水堵塞	用布將爐頭蓋抹乾後，重新放好。
爐頭火孔被污積堵塞	用溫和洗滌劑和刷子清潔爐頭蓋，用布抹乾後，重新放好。

安裝指示

安裝位置

爐具須安裝在空氣流通之房間內，但切勿置於強風直接吹入的位置。附近不可放置易燃物料（如紙張、油類）、噴霧及壓縮容器。爐具與周圍可燃物料應保持 150 毫米以上的距離。爐具上方須保留最少 650 毫米空間。若上方裝有抽油煙機，並要求不同安裝距離，應採用較大者。

安裝爐具

放置爐具於工作平面，確保所放之處穩固平坦。

氣體接駁

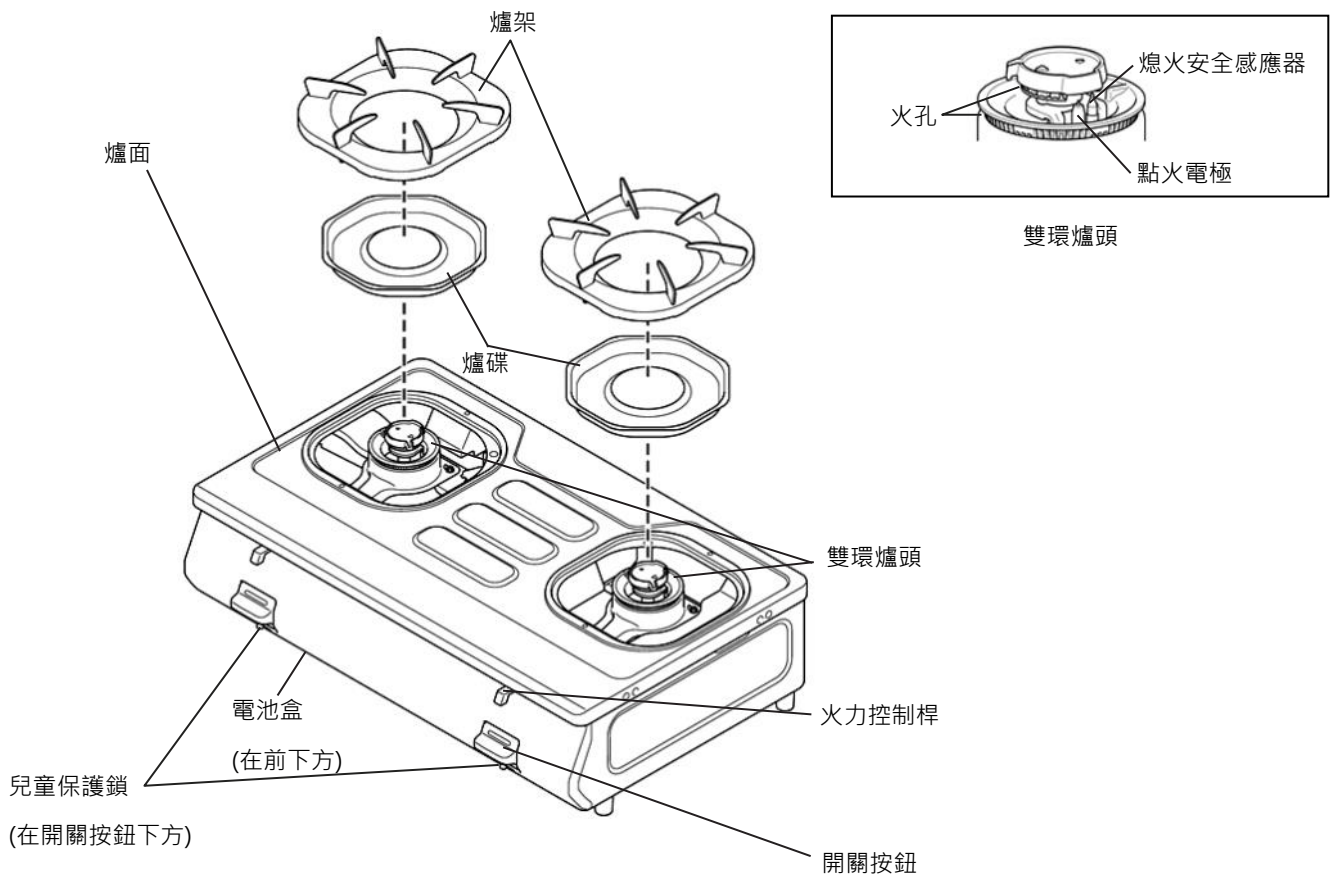
根據現行指定的標準，將氣體爐具連接供氣設施上，接駁前確保爐具符合所供應之氣體類型。並檢查供氣壓力，煤氣為1.5千帕。

注意：氣體接頭為1/2吋英制陽螺紋，使用獲批准的氣體喉管接駁爐具。確保喉管沒有接觸任何活動部件、被扭曲或被擠壓。接駁完成後，檢查喉管的氣密性。切勿使用明火作檢查。

完成安裝

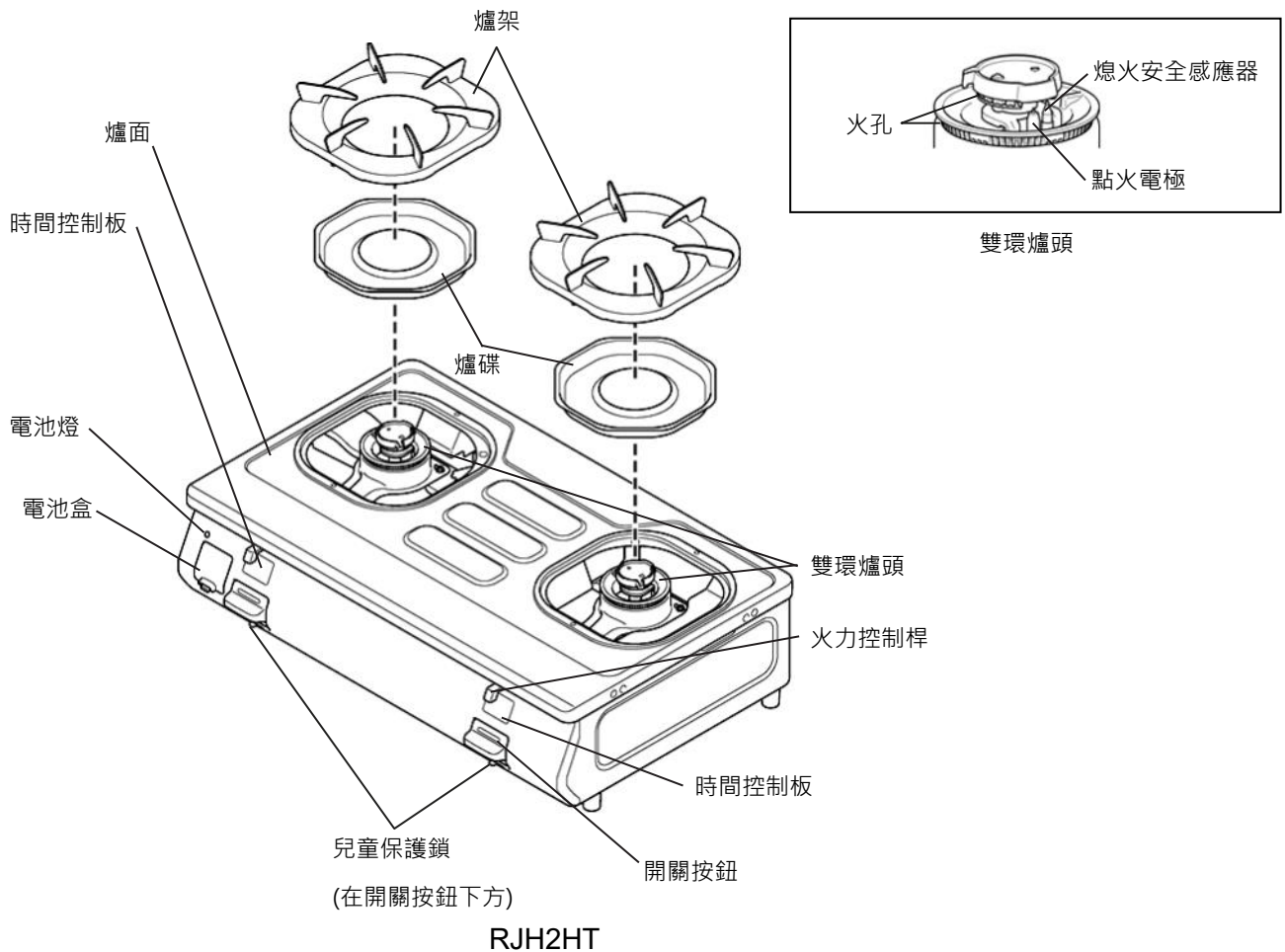
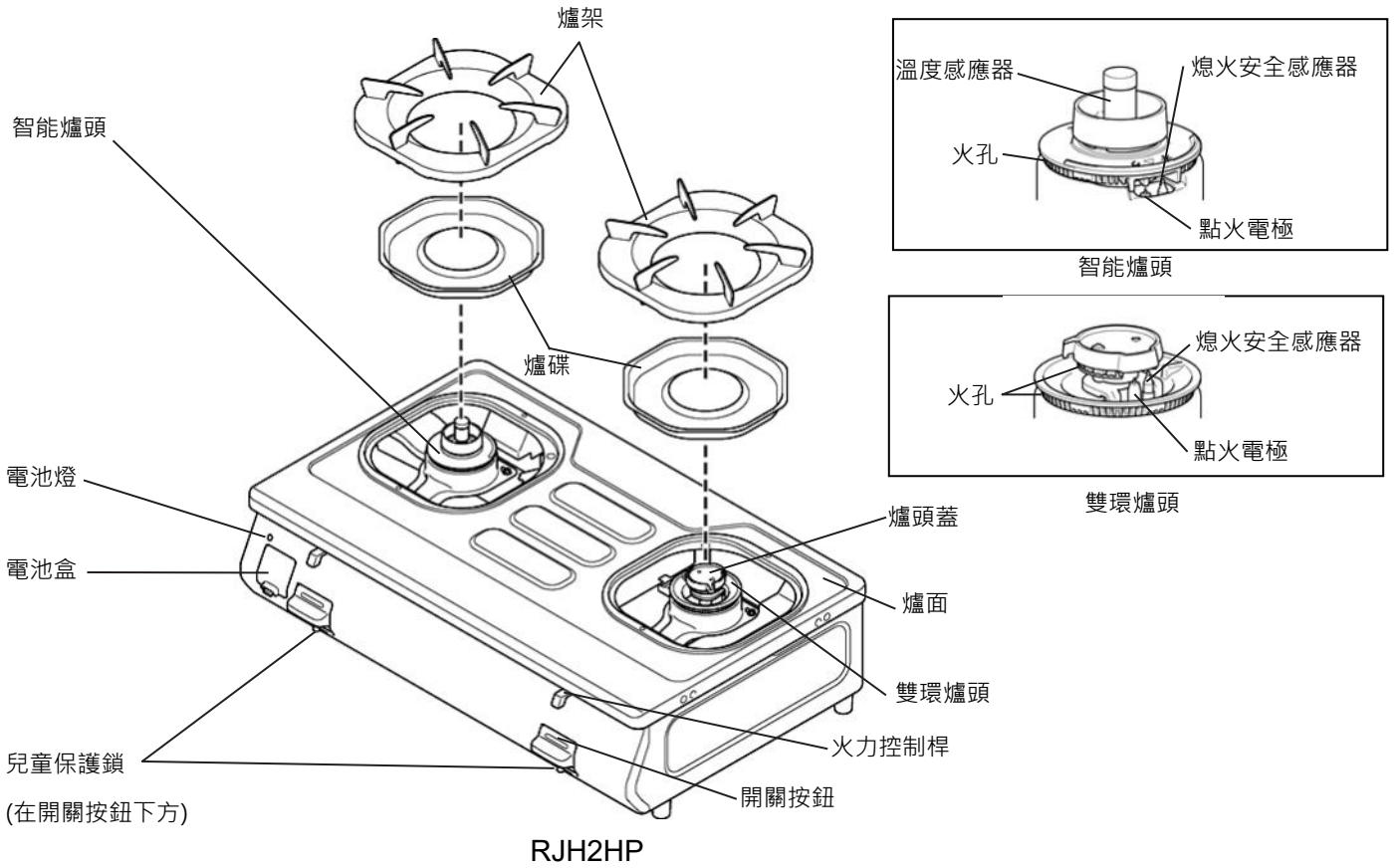
使用前，確定所有部件正確放置。

部件名稱



RJH2H

安裝指示



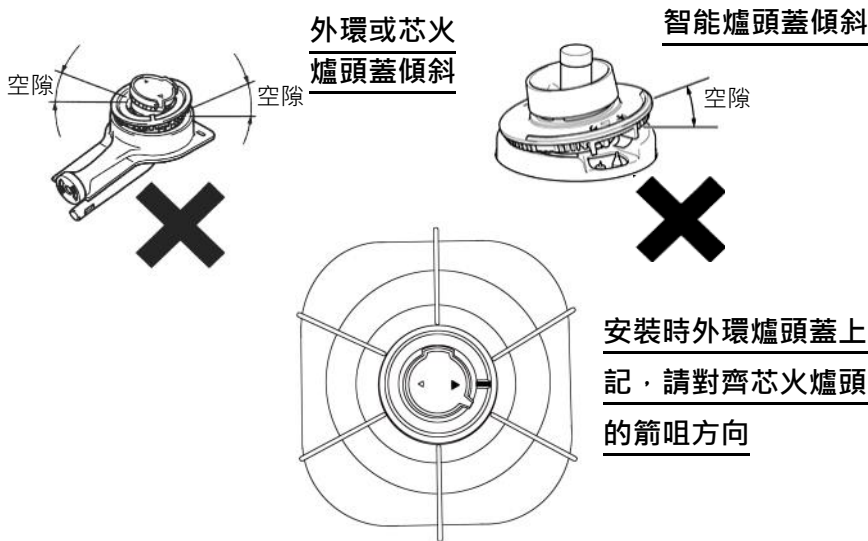
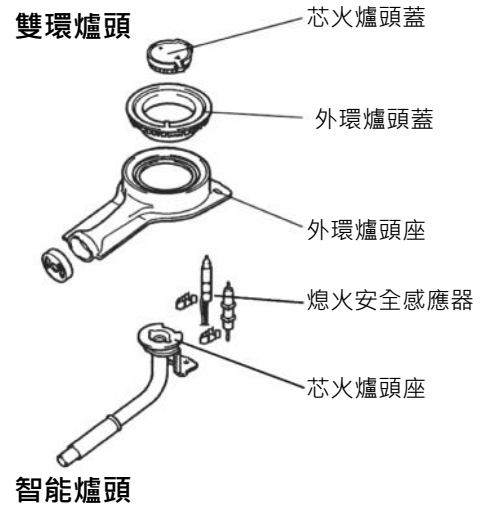
安裝指示

爐頭放置

- 雙環爐頭由外環爐頭蓋、芯火爐頭蓋及爐頭座組成。
- 智能爐頭由爐頭蓋及爐頭座組成。
- 將爐頭蓋放置在爐頭座上，放置時請勿傾斜。

⊘ 不要在爐頭蓋錯誤放置的情況下使用爐具。

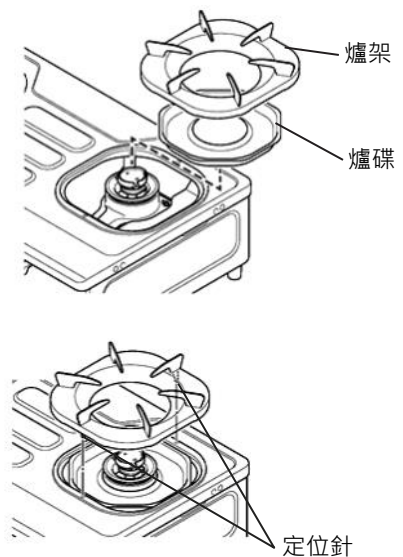
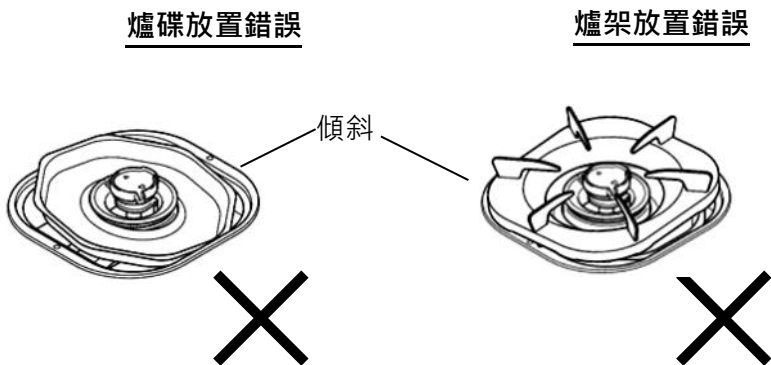
- 若爐頭蓋未放置正確，會導致無法點火。
- 火焰不均和回火會導致不完全燃燒、一氧化碳中毒或爐頭變形。
- 火焰進入爐具內，會導致損毀。



爐碟及爐架放置

- 將爐碟及爐架正確放置於爐具上。

⊘ 不要在爐碟或爐架錯誤放置的情況下使用爐具。錯誤放置爐碟或爐架有機會導致鍋子不穩，並引致危險。



操作指示

點燃爐頭

RJH2H

完全按下按鈕，火花會點著爐頭，保持按著按鈕數秒，然後放手。若爐火不能維持，按下按鈕返回熄火位置，等待數秒，讓氣體散走，然後重新點火。

RJH2HP 和 RJH2HT

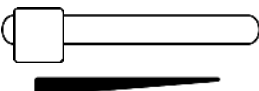
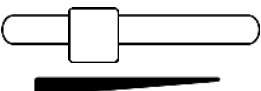
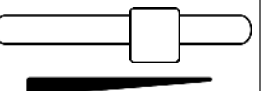
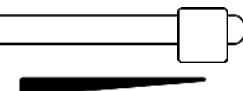
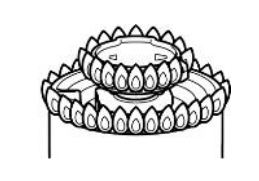
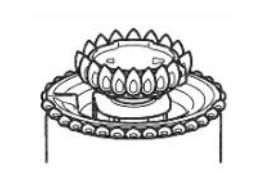
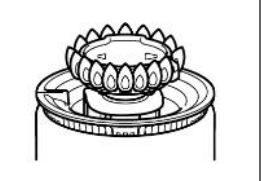
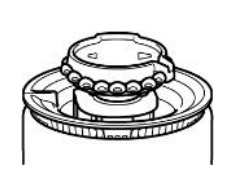
爐具備有快易點火系統，完全按下按鈕，火花點著爐頭後便可放手，若爐火不能維持，按下按鈕返回熄火位置，等待數秒，讓氣體散走，然後重新點火。

注意：如爐具長時間未有使用，於首次點燃時有機會因喉管內含有空氣而未能令爐頭點燃成功。按一下按鈕至關閉位置，並重複上述步驟至成功點燃。

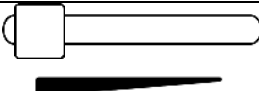
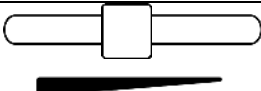
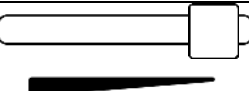
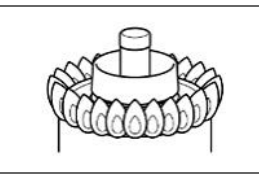
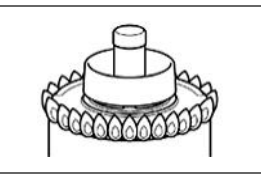
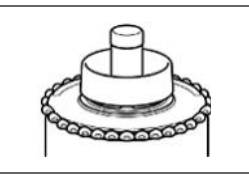
火力調節

爐頭點燃後，轉動火力控制桿調節火力大小。

雙環爐頭

火力控制桿位置				
爐火狀況				
芯火	最大	最大	最大	最小
外環火	最大	最小	熄滅	熄滅

智能爐頭

火力控制桿位置			
爐火狀況			
爐火	最大	中	最小

熄火

按下按鈕至關閉位置。

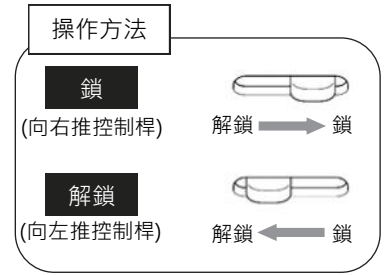
注意：熄火時有機會因殘留在爐頭內的氣體瞬間燃燒而出現響聲，此屬正常現象。

操作指示

兒童保護鎖

兒童保護鎖位於各爐頭的開關按鈕下方。

把兒童保護鎖控制桿推向右邊時，開關按鈕便不能按下。若要按下按鈕打火，請把兒童保護鎖控制桿推回左邊。

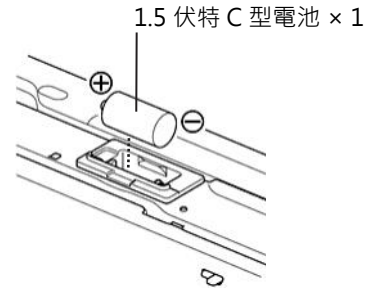


更換電池 (適用於 RJH2H)

如電火花打火轉慢 (每秒只有一兩下時)，預備一枚新的 C 型電池作更換。

當電池耗盡，爐具便不能操作，必須更換新電池。

電池盒在下前方。更換新電池時，注意電池的電極方向，若擺放錯誤，爐具便不能操作。



更換電池 (適用於 RJH2HT 和 RJH2HP)

當按下開關按鈕時，電池燈會提供有關電池狀態的信號：

- 沒有著燈：電池正常
- 閃燈：低電量
- 著燈：必須更換新電池



當低電量時，爐具仍然可以操作，預備兩枚新的 D 型鹼性電池作更換。

當電池耗盡，爐具便不能操作，必須更換新電池。

電池盒在左前方。更換新電池時，注意電池的電極方向，若擺放錯誤，爐具便不能操作。

三小時自動熄火功能 (沒有使用時間設定，適用於 RJH2HP 和 RJH2HT)

為避免忘記關爐，連續使用約 3 小時後，爐火自動熄滅，蜂鳴器會響起通知。

按一下按鈕，將它返回關閉位置。

若要繼續使用，須重新點火。

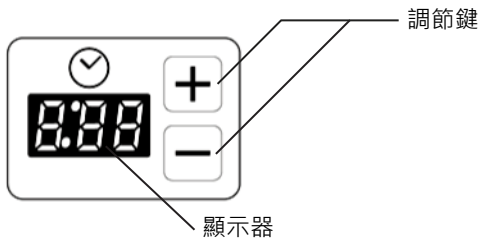


約 3 小時

智慧功能 (適用於 RJH2HP 和 RJH2HT)

產品具有智慧功能，可通過智能手機監察運作狀況及遙距關火。有關操作及配對流程請查閱「煤氣智慧爐具」應用程式。

定時熄火功能 (適用於 RJH2HT)



先點火，調節火力後，按調節鍵 [+] 或 [-] 。

最開始會顯示 [0:01] (1 分鐘)。

按調節鍵 [+] 或 [-] 來調節時間。

設定時間時，以 1 分鐘遞增調節，可設定 1 分鐘至 4 小時。

如果長按則以 10 分鐘遞增調節。

若設定剩餘時間為 1 分鐘以上，在設定時間 10 秒鐘後，為了節約電池，顯示器上的 [-] 會從左至右閃動。

按調節鍵 [+] 或 [-]，可以顯示剩餘時間。

設定時間到點前 1 分鐘，蜂鳴器響起，顯示器切換為顯示剩餘『秒』數。

到設定時間後，蜂鳴器響起，自動熄火。

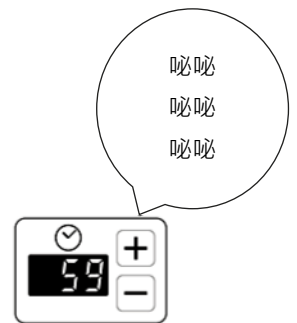
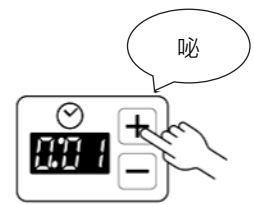
請務必按一下開關按鈕，將它返回關閉位置。

若未將按鈕歸位至關閉位置，顯示器會顯示 [0]，並在約 10 秒後熄滅。

取消定時熄火功能

同時長按 [+] 和 [-] 鍵 1 秒，可以取消時間設定。

火焰會維持燃燒狀態。



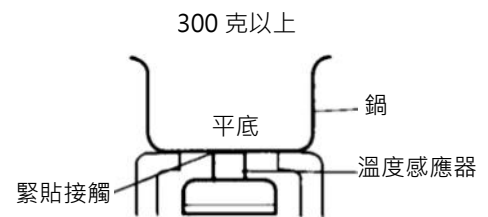
操作指示

過熱熄火功能 (適用於 RJH2HP)

智能爐頭設有溫度感應器，探測鍋子溫度，當食物燒焦或油溫過熱時，便會自動熄火，蜂鳴器會發出 5 次「呔」聲，此時，按下開關按鈕，使它回到關閉位置。

請注意以下事項以確保智能爐頭正常運作，避免中途熄火。

- 使用金屬平底鍋子，不要使用鍋底不平、複合底、圓底、陶瓷或玻璃鍋子。
- 鍋子必須平放在爐架上，不可傾斜。
- 鍋和食品的總重量達 300 克以上。溫度感應器緊貼著鍋底中心，兩者之間沒有間隙或異物。
- 儘量將食物放在鍋子中央加熱。
- 烹煮乾身食物時，加適量水，並將火力調低。
- 煮食時，不要將鍋子提起。
- 炸油時，油量應不少於 200 毫升。
- 若炸油時因過高溫度自動熄火，待油溫下降後才重新開火。



保養

注意：待爐具完全冷卻後，才可進行任何保養及清潔。清潔時，亦應配戴手套保護雙手。

為妥善保養爐具，遵照以下指示定期清潔爐具：

- 請勿使用蒸氣清潔爐具；
- 請使用適當清潔用品清潔金屬及搪瓷部份。使用非研磨及非腐蝕性的清潔劑，避免使用含氯清潔劑（如漂白劑等）；
- 避免酸性或鹼性物質（如醋、鹽水、檸檬汁等）殘留在爐具；
- 煮食時如有液體溢出，應待爐頭冷卻後儘快清理；
- 定期使用暖水及清潔劑清洗爐頭蓋，將污漬去除，並保持爐頭火孔暢通；
- 清潔後須完全抹乾爐頭蓋，並檢查爐頭火孔未被堵塞，才可放回爐頭；
- 將爐頭蓋正確放回爐頭座，不可傾斜或反轉；
- 定期檢查熄火安全感應器和點火電極，如有污物黏附，可使用軟刷將污物去除。

故障處理

注意：於重新點火前，請將開關按鈕按回關閉位置。

確保爐具完全冷卻後，才進行任何故障處理。如採取以下補救措施後仍然無效，請致電煤氣公司安排維修，電話：2880 6988。

故障	原因	處理方法
1. 沒有點火	點火電極濕了。	以乾布抹乾點火電極。
	點火電極有污垢。	清理點火電極。
	電池已耗盡。	更換電池。
	電池電極擺放錯誤。	重新放好電池。
2. 沒有火焰	仍未開啟煤氣錶閥及 / 或爐具供氣閥。	完全開啟煤氣錶閥及 / 或爐具供氣閥。
	錫紙碟阻塞爐頭。	拿去錫紙碟。
3. 不能保持爐火	開關按鈕未按盡。	按盡開關按鈕，並保持數秒。
	熄火安全感應器有污垢。	清理熄火安全感應器。
4. 使用中熄火	煮食溢出物阻塞爐頭。	待爐具冷卻後，清理爐頭蓋，重新點火。
	用小火時被風吹熄。	等待 1 分鐘，重新點火。
5. 黃火	爐頭有污垢。	以暖水和清潔劑清洗爐頭蓋，將它抹乾和放好後，重新點火。
6. 火焰不穩定	爐頭蓋變形。	聯繫煤氣公司更換零件。
	爐頭蓋擺放不正確。	將爐具熄火，待爐具冷卻後，重新放好爐頭蓋，重新點火。
7. 使用中出現異常聲音	爐頭蓋擺放不正確。	將爐具熄火，待爐具冷卻後，重新放好爐頭蓋，重新點火。
8. 關火時出現響聲	殘留在爐頭內氣體瞬間燃燒。	正常現象。

故障處理

故障代碼 (適用於 RJH2HT)

蜂鳴器	顯示器	爐頭	描述	原因	處理方法		
唸 x 3 次	00	左	自動熄火裝置啟動	爐火使用超過 3 小時	按一下按鈕返回到關閉位置。 如果需要進一步烹飪，請重複點火程式。		
		右					
	11	左	打不著火	仍未開啟煤氣錶閥及 / 或爐具供氣閥	完全開啟煤氣錶閥及 / 或爐具供氣閥		
		右				點火電極或熄火安全感應器有污垢	清理點火電極或熄火安全感應器
						錫紙碟阻塞爐頭	拿去錫紙碟
	12	左	防漏熄火安全裝置啟動	中途熄火	待週圍氣體吹散，然後重新打火		
右							
唸 x 5 次	10	左	防高溫保護裝置啟動	爐頭火孔阻塞	清潔爐頭蓋		
		右					
不斷長響	34	右	防高溫保護裝置故障	零件損壞	停止使用及聯絡煤氣公司		
		左					
	53	左	電子零件故障				
		右					
	701	左					
	703	右					
	71	左					
右							
72	左						
	右						

* 個別爐頭的故障代碼顯示在相對顯示器上。

* 錯誤代碼和 "OFF" 交替顯示。

技術規格

型號		RJH2H	RJH2HP	RJH2HT
氣體種類		香港煤氣		
爐頭數目		2		
額定熱負荷	總	11.7 千瓦	10.0 千瓦	11.7 千瓦
	左爐頭	6.0 千瓦	4.4 千瓦	6.0 千瓦
	右爐頭	6.0 千瓦		
供氣壓力		1.5 千帕		
氣體入口接駁		½吋英制陽螺紋		
整體尺寸 (連氣體接頭) (高 x 闊 x 深)	爐腳至爐面	180 毫米 x 662 毫米 x 461 毫米		
	爐腳至爐架	219 毫米 x 662 毫米 x 461 毫米		
重量		7.3 千克	8.7 千克	8.0 千克
點火裝置		電子點火系統	快易電子點火系統	
熄火安全裝置		熱電偶式		
防高溫保護裝置		雙金屬溫度開關	熱敏電阻	
過熱熄火保護裝置		無	熱敏電阻	無
3 小時自動熄火安全裝置		無	有	
4 小時時間掣		無		有
智慧功能		無	可加配	
電源供應		1.5 伏特 C 型電池 (一枚)	1.5 伏特 D 型鹼性電池 (兩枚)	

Contents

Important Safety Instructions	P.	1
Installation Instructions	P.	3
Operation Instructions	P.	6
Maintenance	P.	9
Troubleshooting	P.	10
Specifications	P.	12

Attention!

According to the Gas Safety Ordinance of Hong Kong, any gas installation works including the installation of appliances and connection tubing, must be undertaken by registered gas installers who are registered for that appropriate classes and be employed by registered gas contractors.

Important Safety Instructions

Thank you for choosing TGC products! The following instructions are very important to safe operation of gas appliance. Please read through them carefully. Please contact Towngas 24-hour hotline on 2880 6988 for enquiry and services.

Installation

1. Use approved gas tubing bearing EMSD approval marking (such as: 機電工程署批准 EMSD APPROVAL GTXXXX) for connection to appliance or other appropriate methods accepted by EMSD.
2. Do not store any combustible materials, e.g. paper and plastic, under or near the appliance. It should keep a distance of more than 150mm from surrounding combustible materials.
3. Install the appliance in a well-ventilated room.
4. External governor is not required.

Operation

1. In case of suspected gas leak, open windows and shut off gas meter valve or main gas valve. Do not operate any electric appliances or switches. Do not use any phones on site. Contact Towngas Emergency Hotline on 2880 6999 with a phone outside the premises.
2. Please use the appliance properly according to the operating instructions.
3. This appliance is designed for domestic use only. Do not use it for commercial purposes.
4. Do not use the appliance for any purposes other than cooking, e.g. drying clothes.
5. Open windows and turn on ventilation system before operating the appliance.
6. Do not allow kids to use appliance.
7. Do not leave operating appliance unattended.
8. Do not add aluminum discs to burner. This will incur combustion problem.
9. Before use, ensure the burner caps and pan support are in correct position and are not tilted.
10. Do not put weight exceeding 10kg on pan support.
11. Pan support is heavy. Do not drop it.
12. Make sure that flame condition is uniform during operation.
13. Heed high temperature of top plate, burner and pan support.
14. Do not use flat bottom pot of diameter larger than 300mm to avoid the risk of scald by high temperature and reduce the service life of the appliance.
15. When using small utensil, reduce flame power that flame does not escape from utensil bottom.
16. Ensure stability of utensil resting on pan support. Hold utensil firmly if it slips easily.
17. Do not fill water including soup ingredients over two-thirds of utensil volume when boiling water or soup. Spilled liquid of boiling will affect combustion and damage the appliance.
18. Always use pots with covers and make sure that the handles of the pots are correctly positioned to avoid heating and collision of handles.
19. Do not use sprays near the appliance.

Important Safety Instructions

20. On / Off button should be turned to off position after use.
21. Ensure cleanliness of burner flame holes. After spillage of food and liquid, clean up the burner caps once the appliance cools down.
22. If abnormal noise is observed, turn off flame. Check placement of burner caps and place them correctly after appliance cools down. Contact Towngas Company for inspection if problem persists.

Maintenance

1. Check condition of gas hose regularly. Ensure that it is free from kink or crack. Contact Towngas Company to replace it if damage is found.
2. Allow the appliance to cool down completely before cleaning.
3. Wear gloves to protect hands from cut injury when cleaning the appliance.
4. Dry burner caps completely with dry cloth after washing. Flame holes of burner must be free from water lest combustion is affected.
5. Before and after use, notice the condition and cleanliness of burner. The following abnormal conditions will incur abnormal combustion and thus damage of the appliance. Ensure undertaking measures to rectify the problem accordingly.

Abnormal Condition	Handling Measure
Burner caps are deformed	Contact Towngas Company to replace the parts.
Burner caps are tilted	Replace burner caps properly. Burner caps must not be tilted.
Burner flame holes are blocked by water	Dry burner caps with cloth and replace them properly.
Burner flame holes are blocked by dirt	Clean burner caps with mild detergent and brush. After drying with cloth, replace them properly.

Installation Instructions

Installation Position

Install the appliance in a well-ventilated room but not at the position of strong wind. Keep it away from any combustible materials (such as paper, oil), sprays or pressurized containers. It should keep a distance of more than 150mm from surrounding combustible materials. Allow 650mm or more clearance above appliance. If range hood is installed above the appliance and requires different distance, adopt the larger value.

Appliance Installation

Position the appliance onto the bench-top. Ensure the bench-top is stable and flat.

Gas Connection

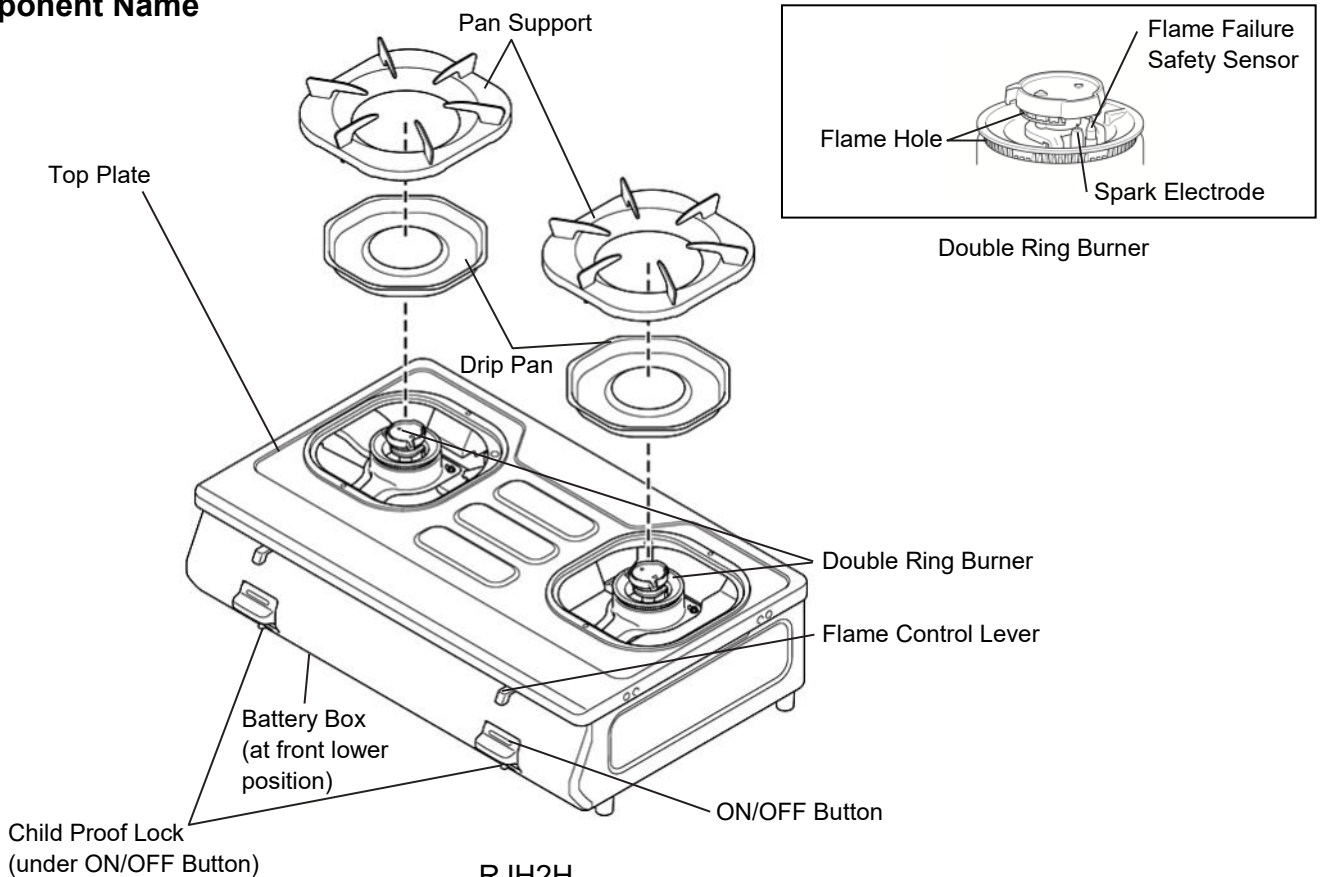
Connect the gas appliance to the gas supply according to the prescribed standards in force, and ensure that the appliance matches with the type of gas supply. Furthermore, check the supply pressure. Town gas should be 1.5 kPa.

Attentions: The gas connection is 1/2" B.S.P male thread. Use approved gas tubing for connecting to appliance. Tubing shall not be touching any moving parts, being kinked or being compressed. After connection , check gas soundness of piping. Never use naked flame for checking.

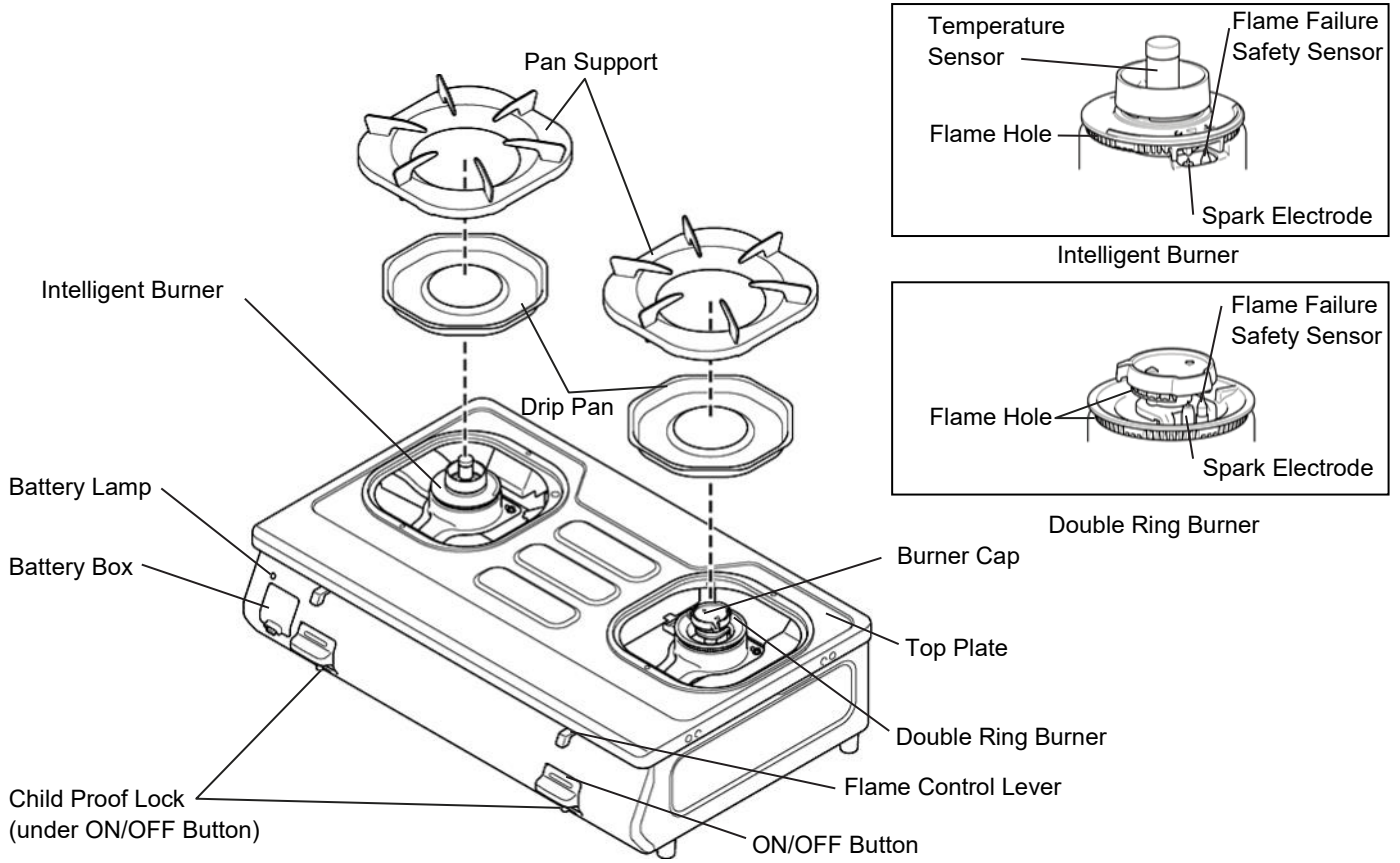
Completing Installation

Make sure that all the parts are fitted properly before use.

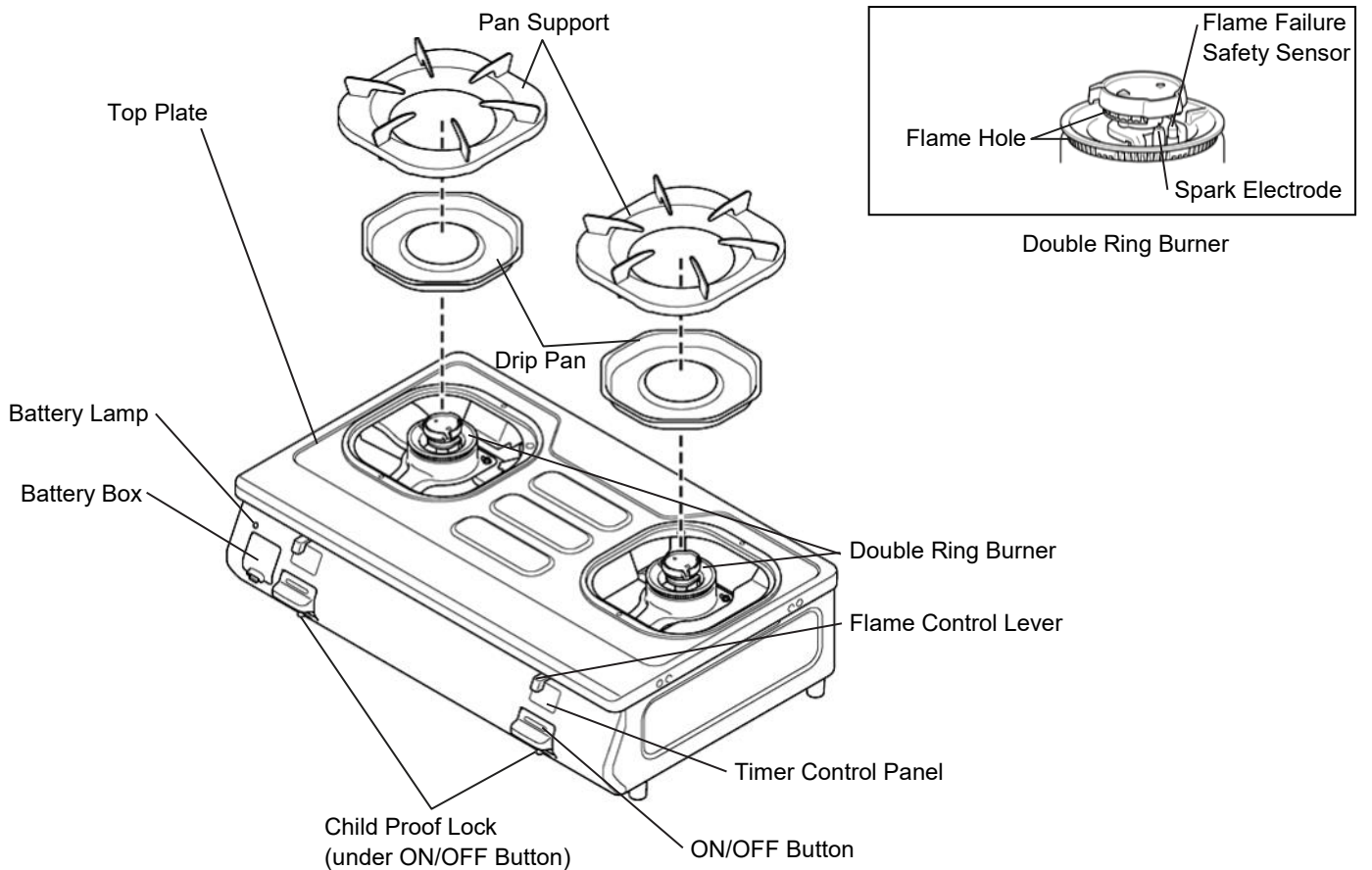
Component Name



Installation Instructions



RJH2HP



RJH2HT

Installation Instructions

Placement of Burner

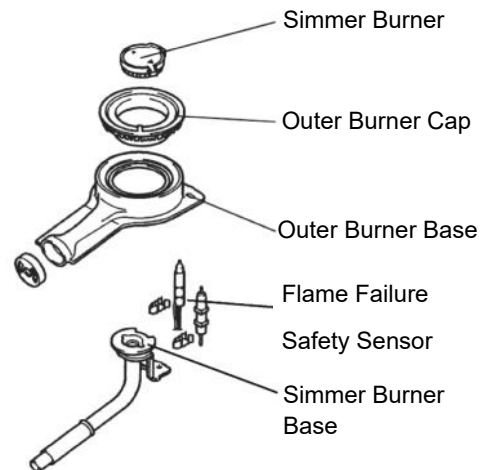
- Double ring burner is composed of outer ring burner cap, simmer burner cap and burner base.
- Intelligent Burner is composed of burner cap and burner base.
- Place burner caps onto burner bases without tilting.



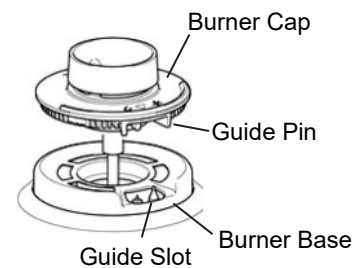
Do not use appliance with burner caps positioned improperly.

- It may not be ignited if burner caps are not fixed properly.
- It may cause incomplete combustion, carbon monoxide poisoning and burner deformation, due to uneven flame shape and lighting back.
- Flame may get into appliance and induce damage.

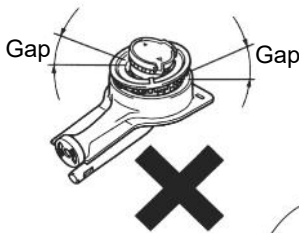
Double Ring Burner



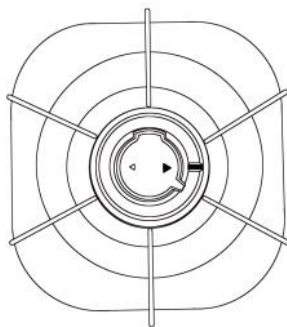
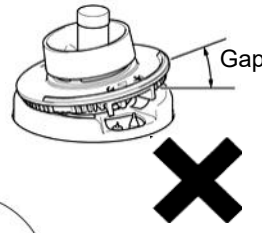
Intelligent Burner



Tilted outer ring or simmer



Tilted Intelligent Burner



When installing, please align the mark on the outer burner cap with the direction of the arrow on the simmer burner.

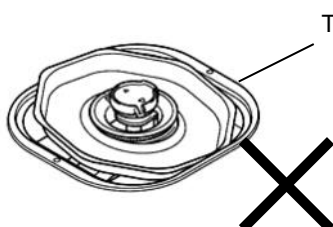
Placement of Drip Pan & Pan Support

- Place the drip pan and pan support to the appliance properly.

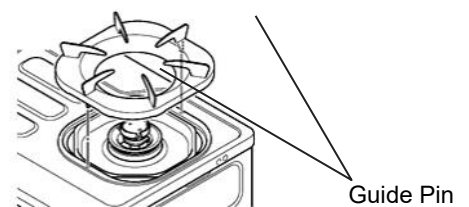
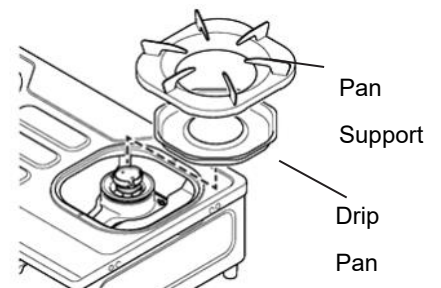
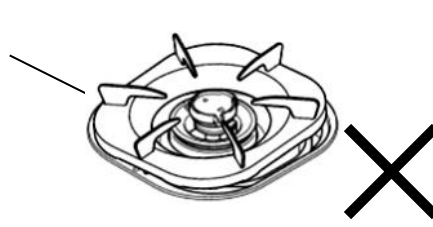


Do not use appliance with drip pan or pan support positioned improperly. Due to improper placement of drip pan or pan support, cooking utensil may become unstable and cause hazard.

Improper placement of drip pan



Improper placement of pan support



Operating Instructions

Ignition of Burner

RJH2H

Fully press the ON/OFF button. Spark will ignite burner. Keep pressing for several seconds and then release it. If flame does not persist, press button once to turn off, wait for several seconds for gas dispersion, and then repeat ignition procedure.

RJH2HP & RJH2HT

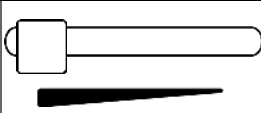
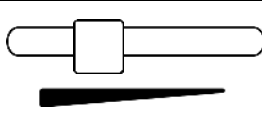
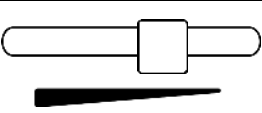
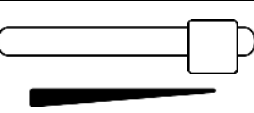
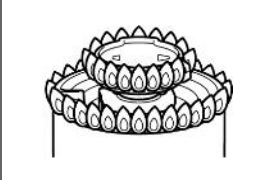
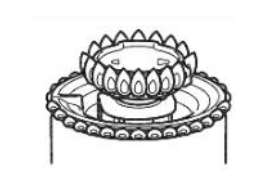


Appliance has fast-easy ignition device. Fully press the ON/OFF button. After burner ignition by spark, release button. If flame does not persist, press button once to turn off, wait for several seconds for gas dispersion, and then repeat ignition procedure.

Attentions: If the appliance has not been used for a long time, the first ignition may not succeed due to some trapped air in gas pipe. Press the ON/OFF button to the off position. Repeat the above procedures until successful ignition.

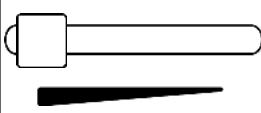
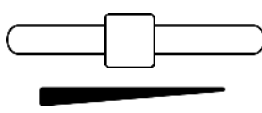
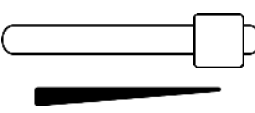
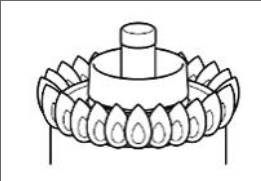
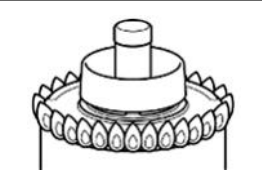
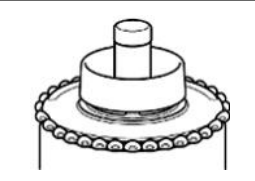
Flame Adjustment

After ignition, slide the flame control lever to adjust flame power.

Double Ring Burner

Flame Control Lever Position				
Flame Condition				
Simmer Flame	Maximum	Maximum	Maximum	Minimum
Outer Ring Flame	Maximum	Minimum	Off	Off

Intelligent Burner

Flame Control Lever Position			
Flame Condition			
Burner Flame	Maximum	Medium	Minimum

Turn Off

Press ON/OFF button once.

Attentions: Pop sound might be generated when turning off flame due to the instant combustion of gas remained in burner. This is a normal phenomenon.

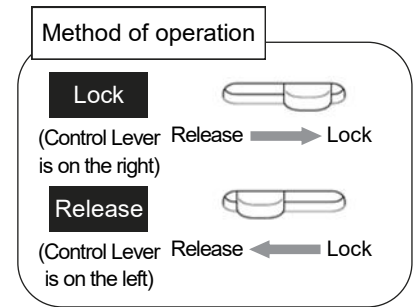
Operating Instructions

Child Proof Lock

The child proof lock is located under the ON/OFF button of each burner.

The ON/OFF button cannot be pushed down when the child proof lock control lever slides to right side.

Please slide back the control lever to left side for ignition.

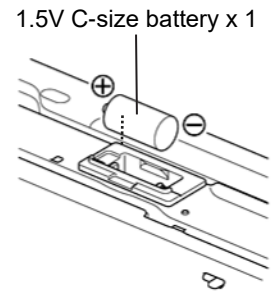


Change Battery (Applicable to RJH2H)

Prepare 1 new C-size battery for replacement when sparking becomes slow (1 to 2 sparks per second) .

When batteries are used up, hotplate is not operative. Replace new batteries.

Battery box is located at front lower position. When batteries are replaced, note the polarity of battery. The hotplate is not operative if batteries are wrongly placed.



Change Battery (Applicable to RJH2HP & RJH2HT)

When the ON/OFF button is pressed, the battery lamp provides signal of battery status :

- No light : Batteries are normal.
- Blinking : Battery power is low.
- Steady on : Replace new batteries.



When battery power is low, hotplate is still operative. Prepare 2 new D-size alkaline batteries for replacement.

When batteries are used up, hotplate is not operative. Replace new batteries.

Battery box is located at front left position. When batteries are replaced, note the polarity of battery. The hotplate is not operative if the batteries are wrongly placed.

3-hour Automatic Flame Off Function (Not using timer setting, Applicable to RJH2HP & RJH2HT)

To avoid forgetting to turn off appliance, flame will be off automatically after 3 hours continuous use, and buzzer will sound for notification.

Press button once to return to OFF position.

If further cooking is required, repeat ignition procedure.



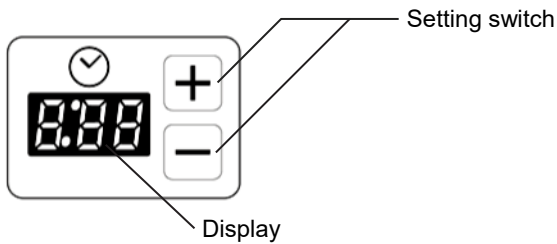
Approx. 3 hours

Smart Function (Applicable to RJH2HP & RJH2HT)

Smart function can be added as option. user can monitor operation status and remotely shut off flame with a smartphone. For more information about control and pairing, please refer to "Towngas Smart Appliance Application".

Operating Instructions

Flame Off Timer Function (Applicable to RJH2HT)



First turn on flame. After adjusting flame power, press the setting switch [+] or [-].

[0:01] (1 minute) is displayed initially.

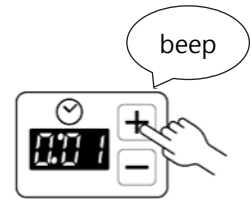
Press the setting switch [+] or [-] to adjust the time.

The time can be adjusted in 1 minute increments from 1 minute to 4 hours.

Hold down the switch to adjust the time in 10 minute increments.

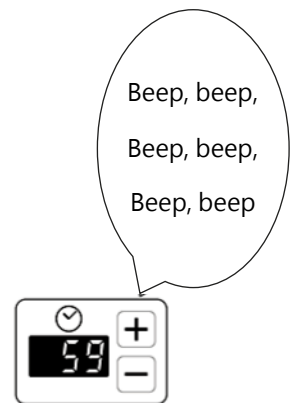
If the remaining time is 1 minute or more, the display [-] blinks from left to right after setting timer for 10 seconds. This is to save battery power.

Press the setting switch [+] or [-] to display remaining time.



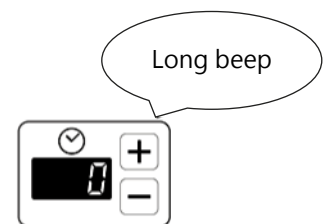
One minute before the set time, the buzzer sounds and the display switches to show remaining "second".

The buzzer sounds and the flame is automatically turned off at the set time.



Be sure to press the ON/OFF button to return to OFF position.

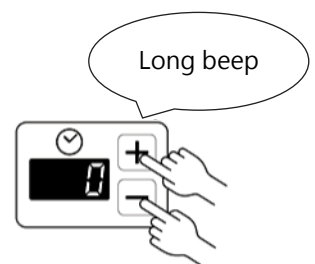
If the button is not turned to OFF position, the display shows [0] for about 10 seconds and then it is off.



Cancelling Flame Off Timer Function

Press and hold the [+] and [-] switches at the same time for 1 second to cancel the timer setting.

The flame remains on.



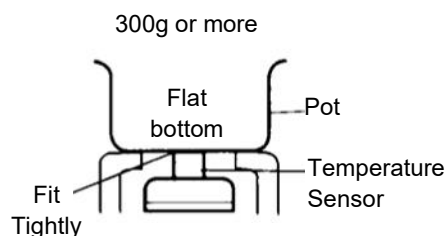
Operating Instructions

Overheat Shutoff Function (Applicable to RJH2HP)

Temperature sensor is located at the Intelligent Burner to detect temperature of pot. When foods are scorched or cooking oil is overheated, it cuts off flame automatically, and buzzer sounds for 5 “beep”. Press the ON/OFF button and turn it to OFF position.

Follow the following instructions to ensure normal operation of Intelligent Burner. This avoids flame off halfway.

- Please use metal pot. Do not use pot with rugged, multilayer or round bottom or made of ceramic or glass materials.
- Pot should be placed on pan support horizontally without tilting.
- Total weight of pot and food should be 300g or more. Temperature sensor should press center of pot bottom tightly without gap or foreign objects.
- When cooking, place foods at the center of pot.
- When cooking dry food, add appropriate amount of water and use low flame.
- Do not lift pot when cooking.
- For deep-frying, the amount of oil should be 200 ml or more.
- If flame is cut off automatically due to overheating of oil, allow oil to cool down before reignition.



Maintenance

Attention: Allow the appliance to cool down completely before performing any maintenance and cleaning. Wear gloves to protect the hands while cleaning.

To maintain the appliance properly, follow the following instructions to clean it regularly:

- Do not use steam cleaners for cleaning;
- The metal and enameled parts must be cleaned with suitable non-abrasive and non-corrosive detergents. Avoid using chlorine-based detergents (e.g. bleach);
- Avoid leaving acidic or alkaline substances on the appliance (e.g. vinegar, brine, lemon juice);
- Clean and tidy up the appliance after spillage of liquid once it cools down;
- The burner caps and burner bodies must be washed frequently with warm water and detergent. Remove any grime and keep burner flame holes clear;
- Dry burner caps and burner bodies completely after washing and check all burner flame holes are not clogged;
- Replace burner caps on burner bodies correctly. Do not tilt or reverse them;
- Regularly check the flame failure safety sensors and spark electrodes. In case of sticking with stains, remove dirt with soft brush.

Troubleshooting

Attention: Before restarting ignition, return the ON/OFF button to off position.

Some malfunctions can be handled by user. But if the following remedial actions are not effective, please call Towngas Customer Service Hotline at 2880 6988.

Fault	Cause	Remedy
1. No ignition or flame	Spark electrode is wet.	Dry the spark electrode with dry cloth.
	Spark electrode has dirt.	Clean the spark electrode.
	Batteries are exhausted.	Change batteries.
	Battery polarity is in wrong direction.	Replace batteries correctly.
2. No flame	Gas meter valve and / or appliance gas supply valve is turned off.	Open gas meter valve and / or appliance gas supply valve completely.
	Burner is blocked by aluminium disc.	Remove aluminium disc.
3. Flame cannot be held	ON/OFF button is not fully pressed.	Fully press ON/OFF button and hold it for a few seconds.
	Flame failure safety sensor has dirt.	Clean flame failure safety sensor.
4. Flame off when using	Cooking spillage blocks burner	Turn off flame. Clean burner caps after appliance cools down. Restart ignition.
	Small flame is blown off by wind.	Wait for 1 minute and restart ignition.
5. Yellow flame	Burner caps have dirt.	Wash burner caps in warm water with detergent. Dry and replace them at
6. Unstable flame	Deformation of burner caps.	Contact Towngas Company to replace the parts.
	Incorrect placement of burner caps.	Turn off flame. Replace burner caps correctly after appliance cools down. Restart ignition.
7. Abnormal noise when using	Incorrect placement of burner caps.	Turn off flame. Replace burner caps correctly after appliance cools down. Restart ignition.
8. Pop sound when flame off	Instant combustion of gas remained in burner.	Normal phenomenon.

Troubleshooting

Error Codes (Applicable to RJH2HT)

Buzzer Sound	Display	Burner	Description	Cause	Remedy
Pi x 3 times	00	Left	Automatic shut off device is activated.	Flame is shut off automatically after 3-hour use.	Press button once to return to OFF position. If further cooking is required, repeat ignition procedure.
		Right			
	11	Left	Ignition failure.	Gas meter valve and / or appliance gas supply valve are not opened.	Open gas meter valve and /or appliance gas supplies valve completely.
		Right		Spark electrode or safety sensor is very dirty.	Clean off the dirt on spark electrode or safety sensor.
				Burner is blocked by aluminum foil.	Remove aluminum foil.
	12	Left	Flame failure safety device is activated.	Flame failure during operation.	Restart ignition after surrounding gas has dispersed.
Right					
Pi x 5 times	10	Left	Overheat protection device is activated.	Burner flame holes are blocked by dirt.	Clean burner caps.
		Right			
Buzzer keeps sound (Pi continuously)	34	Left	Failure of overheat protection device.	Components are failed.	Stop use and call Towngas Company.
		Right			
	53	Left	Failure of electronic components.		
		Right			
	701	Left			
	703	Right			
	71	Left			
		Right			
72	Left				
	Right				

* Error code of respective burner is displayed on corresponding display.

* Error code and "OFF" are displayed alternately.

Specifications

Model		RJH2H	RJH2HP	RJH2HT
Gas Type		Hong Kong Town Gas		
Burner Number		2		
Rated Heat Input	Total	11.7 kW	10.0 kW	11.7 kW
	Left Burner	6.0 kW	4.4kW	6.0 kW
	Right Burner	6.0kW		
Gas Pressure		1.5 kPa		
Gas Inlet Connection		1/2" B.S.P Male		
Overall Dimensions (Including gas connection) (Height x Width x Depth)	To top plate	180 mm x 662 mm x 461 mm		
	To pan support	219 mm x 662 mm x 461 mm		
Weight		7.3 kg	8.7 kg	8.0 kg
Ignition Device		Electronic Ignition System	Fast Easy Electronic Ignition System	
Flame Failure Safety Device		Thermocouple		
Overheat Protection Device		Bimetal thermal switch	Thermistor	
Overheat Shutoff Protection Device		No	Thermistor	No
3-Hour Automatic Flame Off Safety Device		No	Yes	
4-Hour Timer Function		No		Yes
Smart Function		No	Optional	
Power Supply		1.5V C-size battery (1pc)	1.5 V D-size Alkaline Battery (2 pc)	



香港中華煤氣有限公司
The Hong Kong and China Gas Company Limited

202301