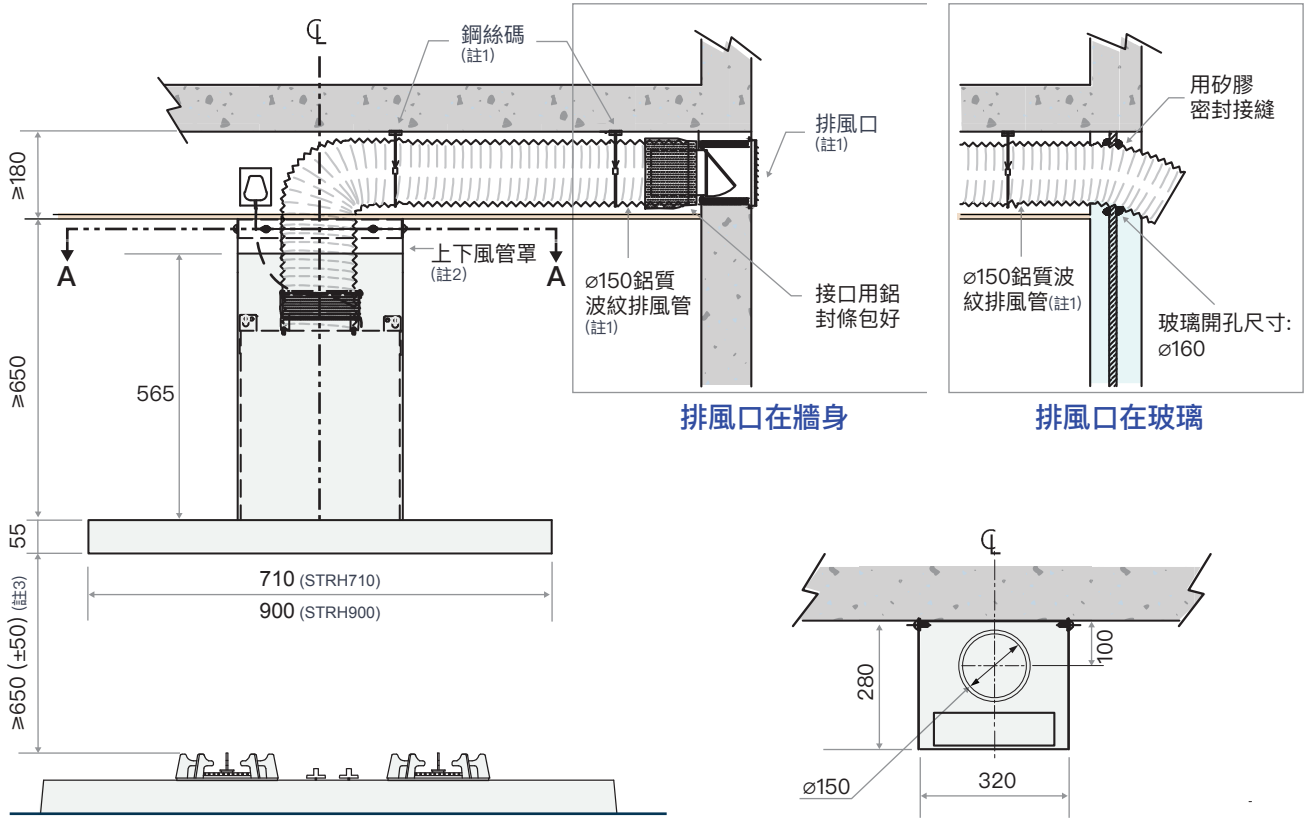
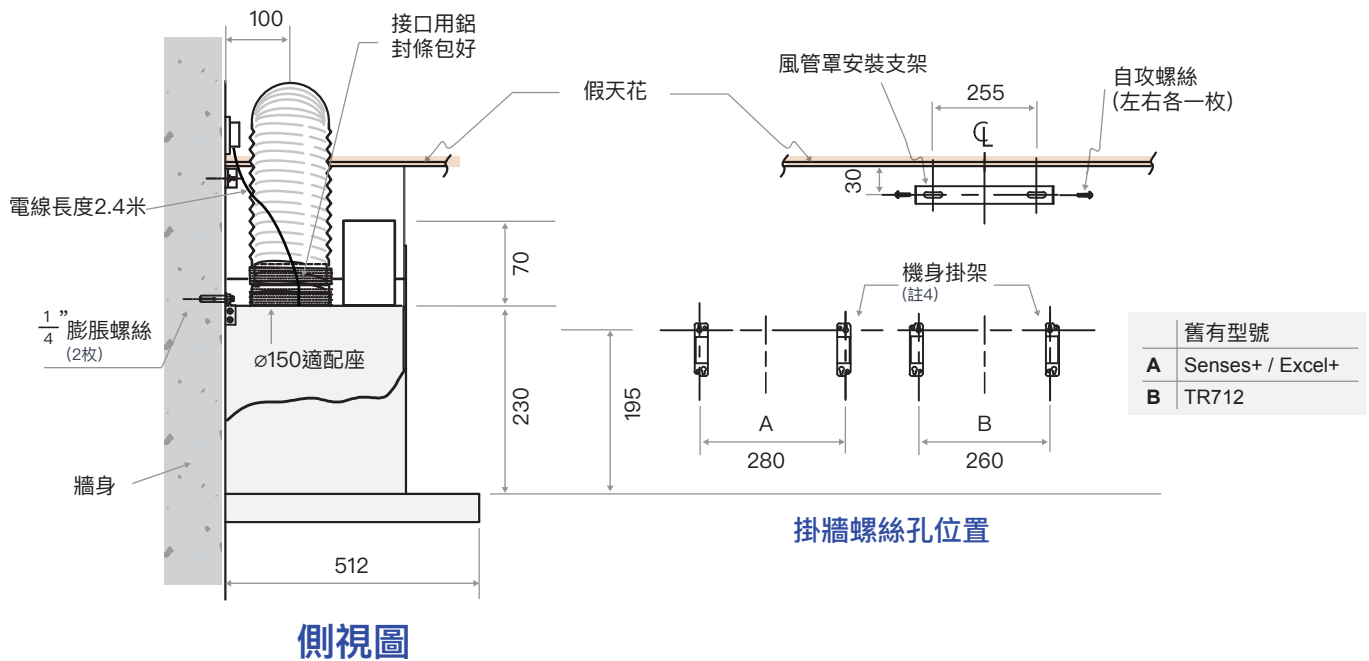


STRH710/900 掛牆式安裝



正視圖

A-A 剖視圖



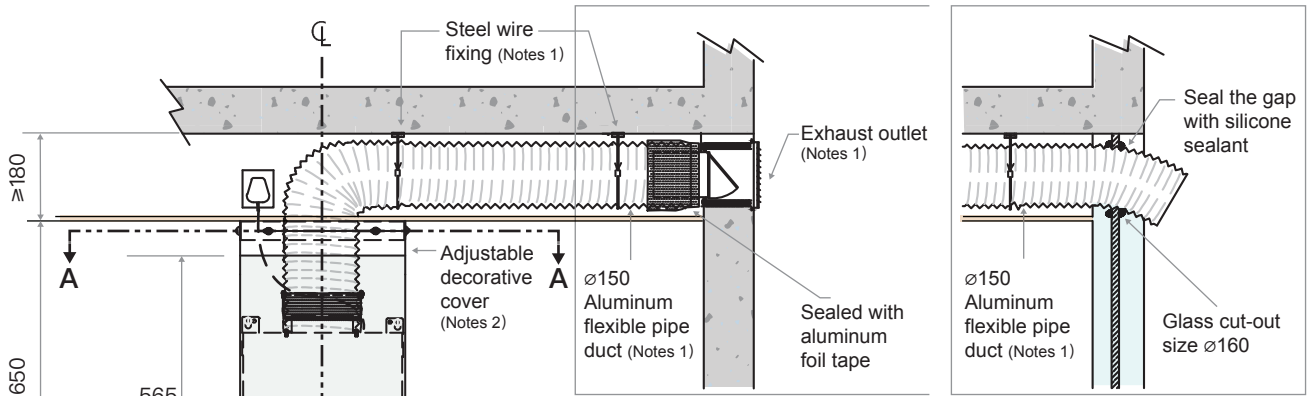
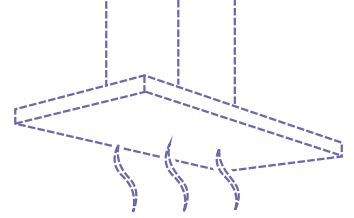
側視圖

掛牆螺絲孔位置

- 註：
- 由承建商提供及安裝，需另收費
鋼絲碼距離不可超過1500毫米
 - 上下風管罩可調高度範圍：565至1122毫米
 - 抽油煙機底與煮食爐架距離必須至少為650毫米（可接受±50毫米差距）
 - 機身掛架及防掀翻擋板固定在牆身上，以承托機身重量

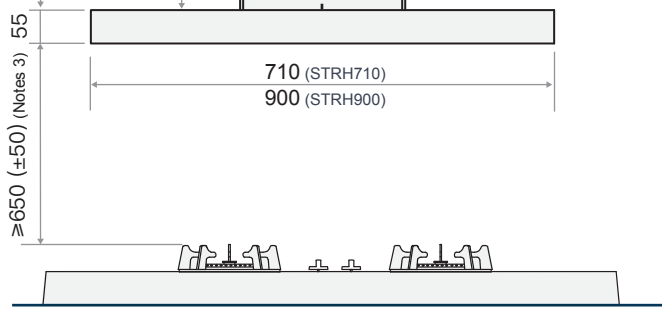


STRH710/900 Free-standing Installation

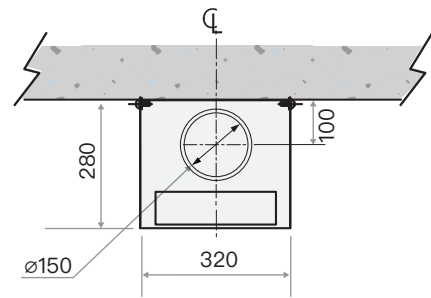


Exhaust outlet on the wall

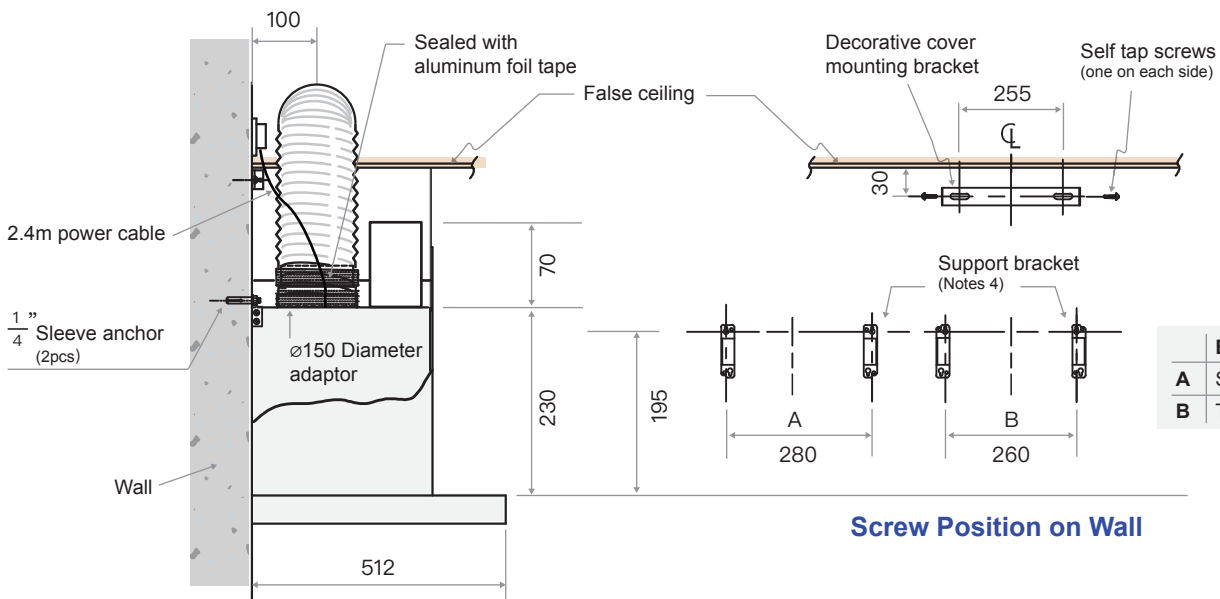
Exhaust outlet on the glass



Front View



A-A Section View



Side View

Screw Position on Wall

Existing Model	
A	Senses+ / Excel+
B	TR712

- Notes :**
1. Provided and installed by contractor with additional charge
The distance between steel wire fixing cannot exceed 1500mm
 2. Adjustable height of pipe cover: 565-1122mm
 3. The distance between the pan support of cooking range and the lowest part of range hood should be at least 650mm (with ±50mm tolerance)
 4. Support bracket and baffles should be mounted on the wall to support the weight of the appliance

