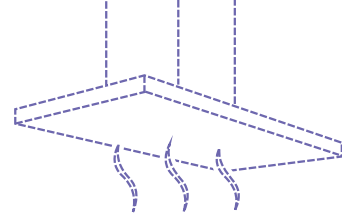
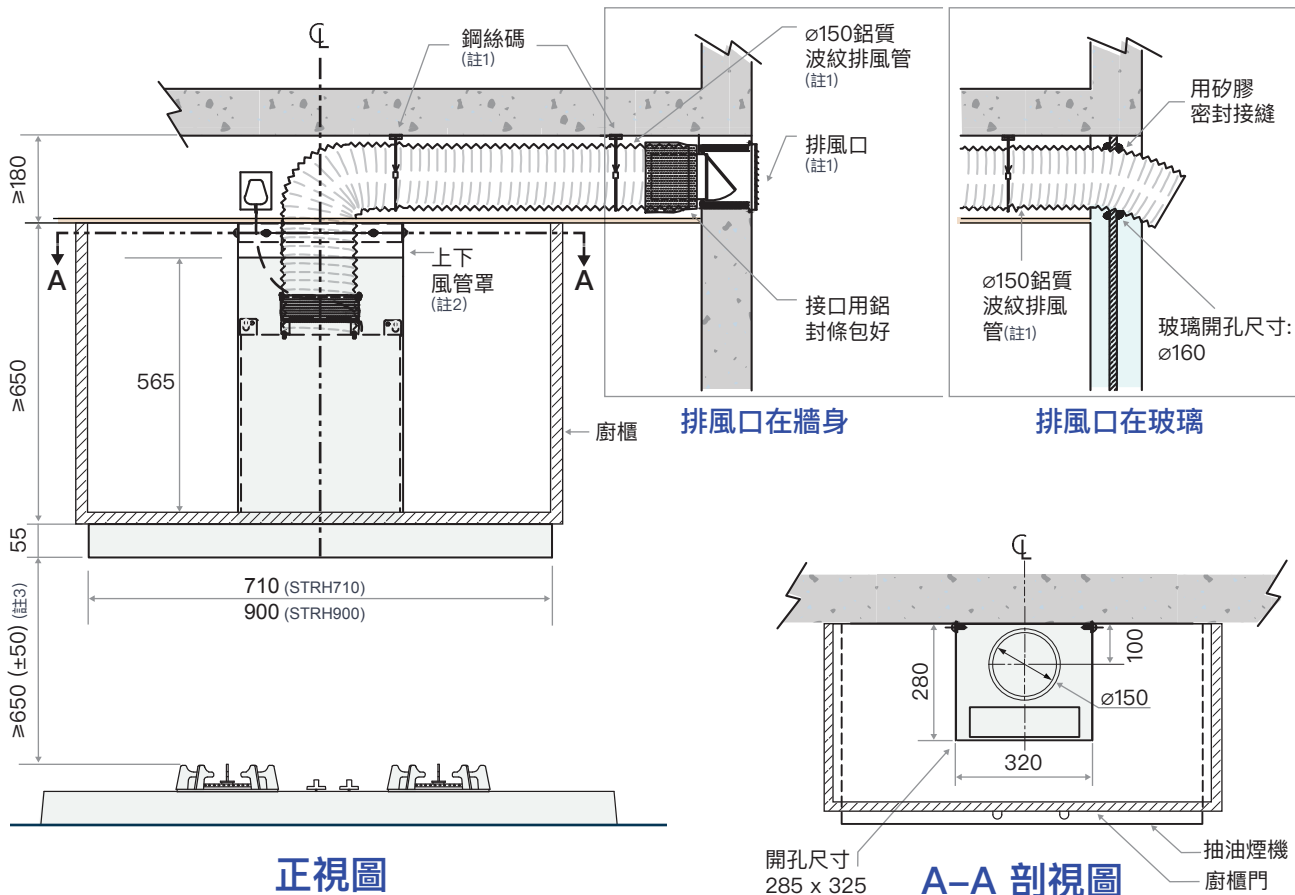


# TGC 抽油煙機 Rangehood

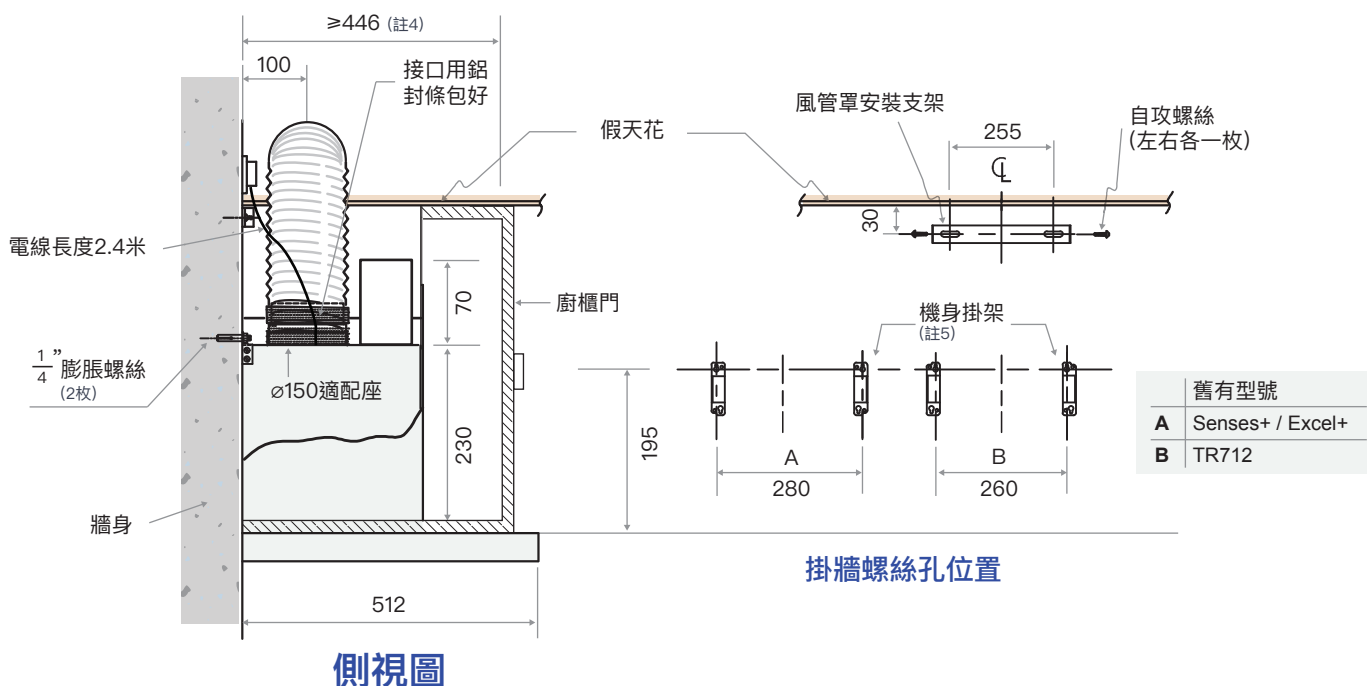


## STRH710/900 嵌入式安裝



正視圖

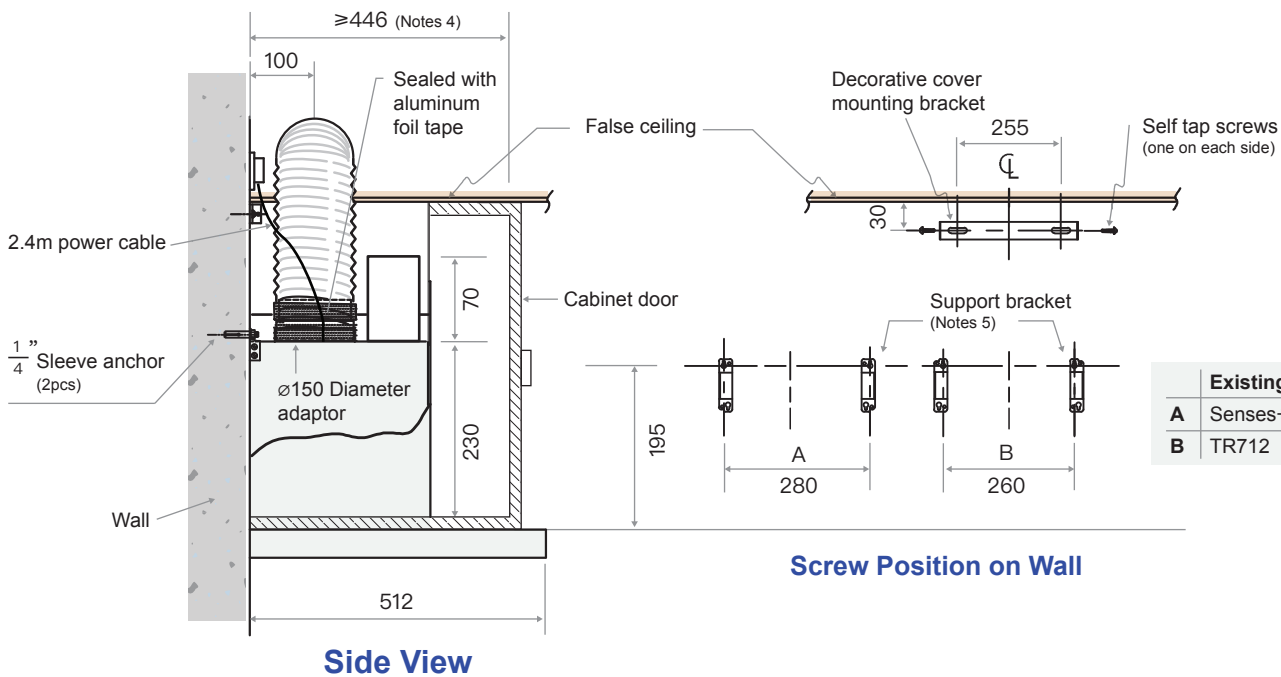
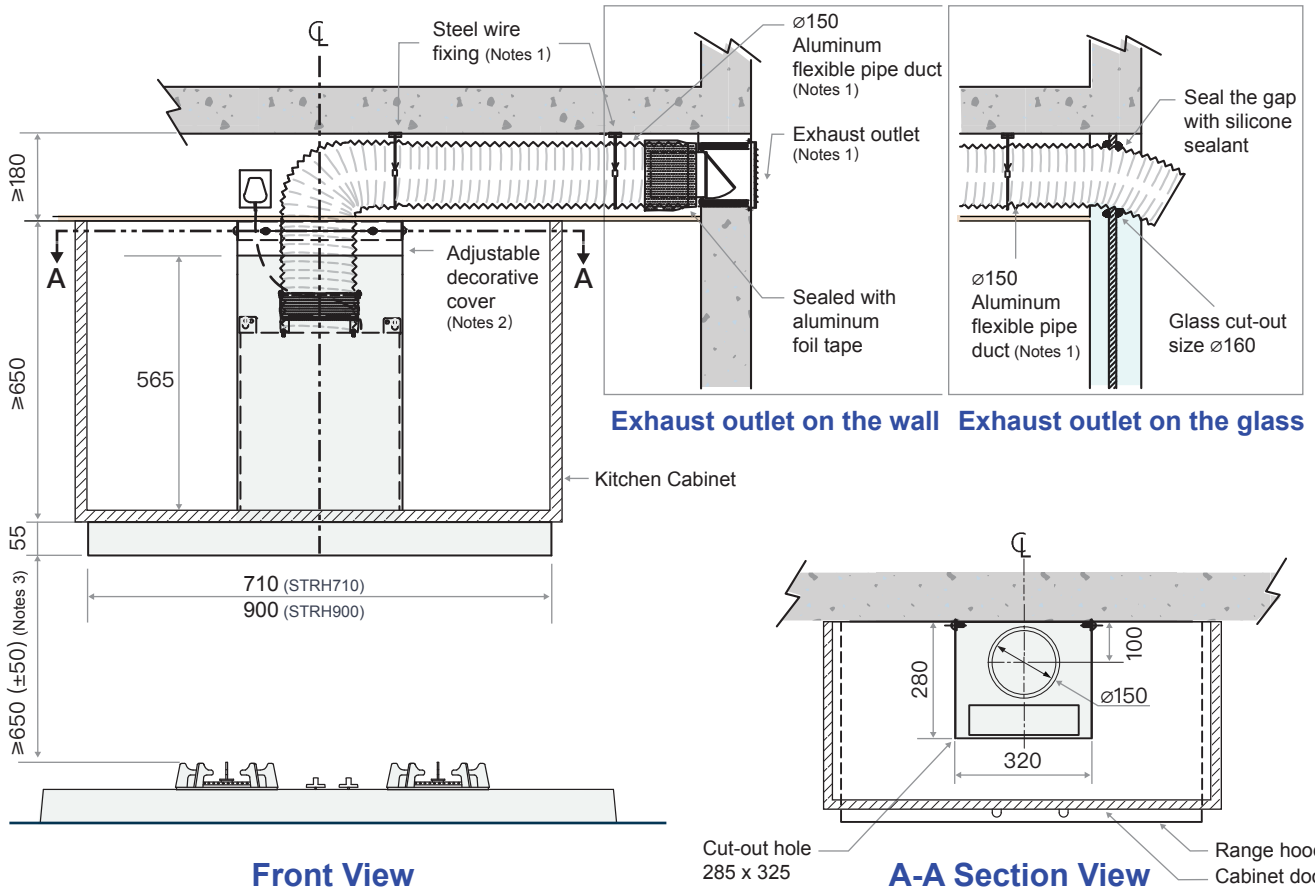
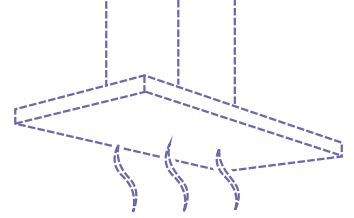
A-A 剖視圖



側視圖

掛牆螺絲孔位置

- 註：
- 由承建商提供及安裝，需另收費  
鋼絲碼距離不可超過1500毫米
  - 上下風管罩可調高度範圍：565至1122毫米
  - 抽油煙機底與煮食爐架距離必須至少為650毫米（可接受±50毫米差距）
  - 廚櫃內部深度不含櫃門厚度不少於446毫米
  - 機身掛架及防掀翻擋板固定在牆身上，以承托機身重量



- Notes :**
1. Provided and installed by contractor with additional charge  
The distance between steel wire fixing cannot exceed 1500mm
  2. Adjustable height of pipe cover: 565-1122mm
  3. The distance between the pan support of cooking range and the lowest part of range hood should be at least 650mm (with ±50mm tolerance)
  4. Minimum internal depth of kitchen cabinet, excluding door thickness, should not less than 446mm
  5. Support bracket and baffles should be mounted on the wall to support the weight of the appliance

