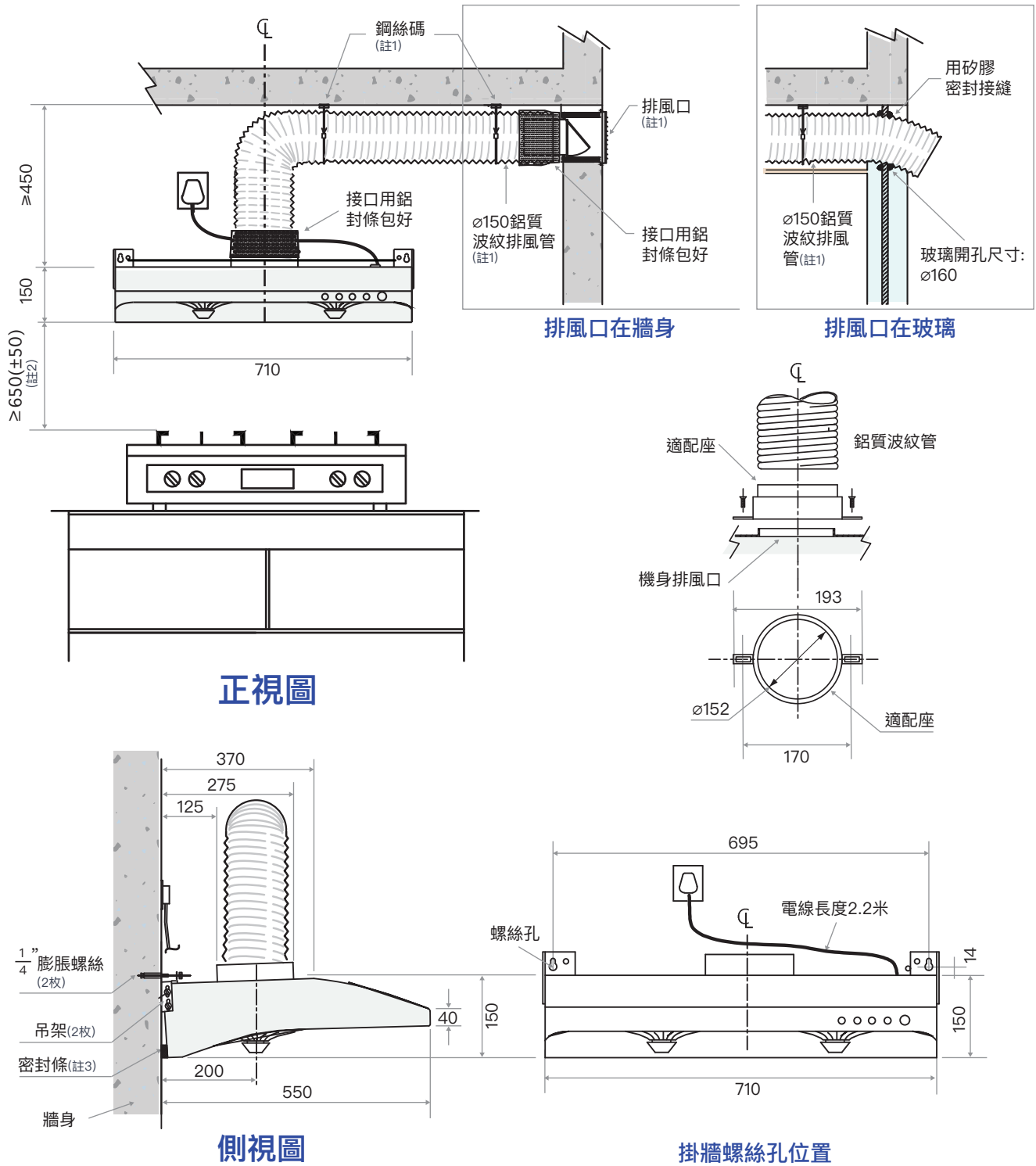


STR723D 掛牆式安裝



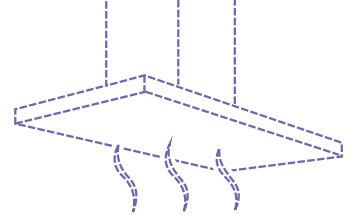
正視圖

側視圖

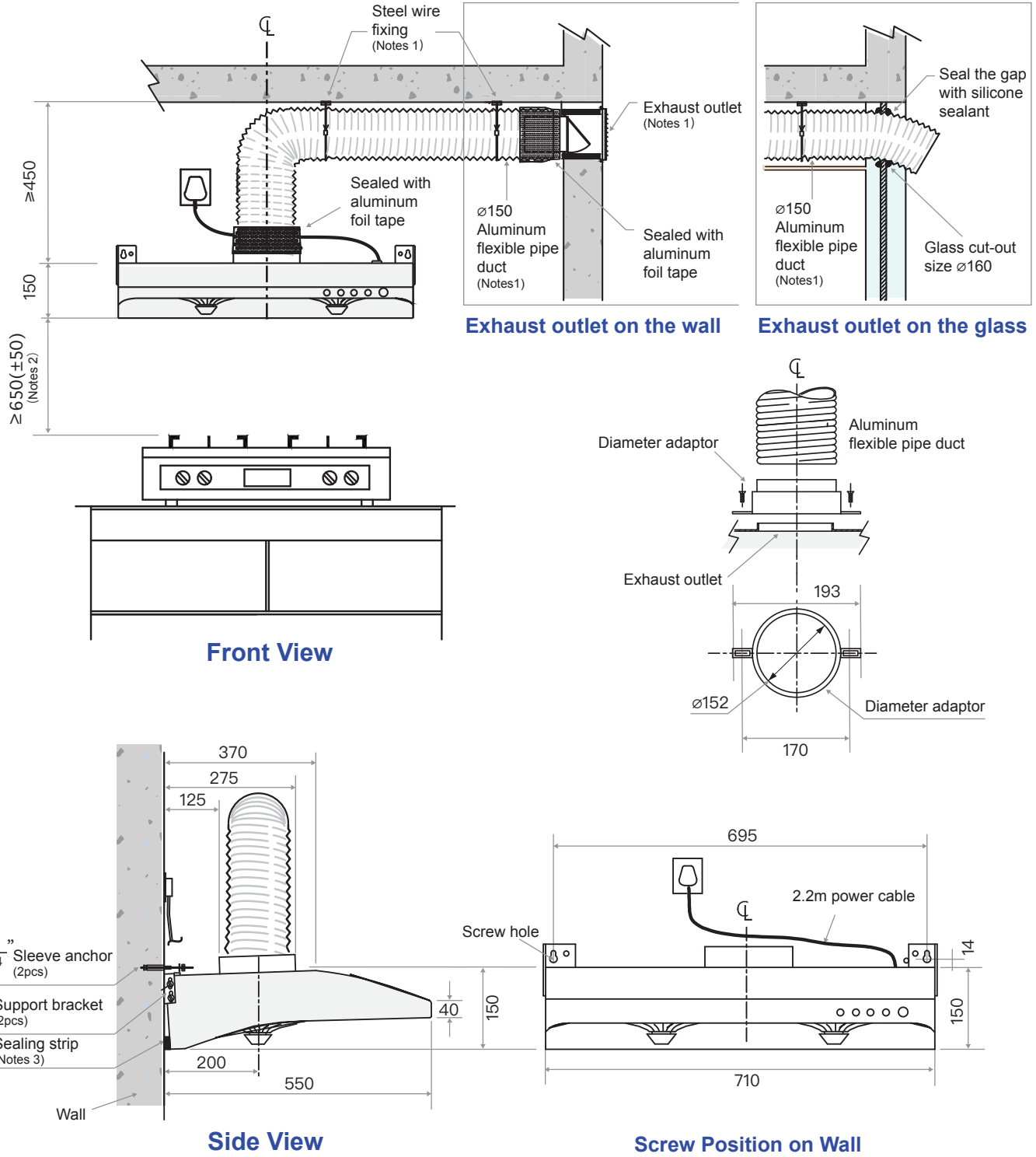
掛牆螺絲孔位置

- 註： 1. 由承建商提供及安裝，需另收費
鋼絲碼距離不可超過1500毫米
2. 抽油煙機底與煮食爐架距離必須至少為650毫米（可接受±50毫米差距）
3. 密封條貼於機背下方邊緣

SIMPA Rangehood



STR723D Free-standing Installation



- Notes :**
1. Provided and installed by contractor with additional charge
The distance between steel wire fixing cannot exceed 1500mm
 2. The distance between the pan support of cooking range and the lowest part of range hood should be at least 650mm (with ±50mm tolerance)
 3. The sealing strip is affixed along the bottom edge at the back of the machine

