

SIMPA

座枱煮食爐

Hotplate

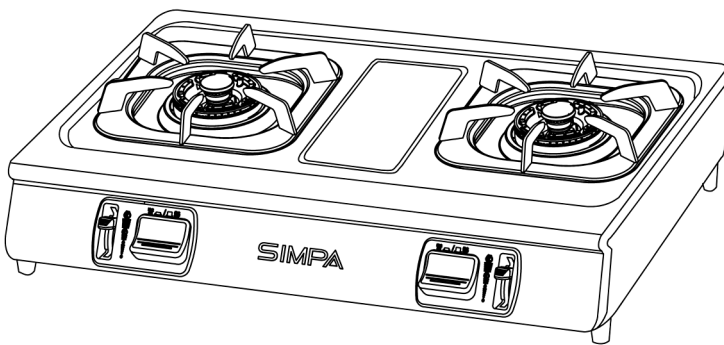
使用及安裝說明書

User and Installation Instructions

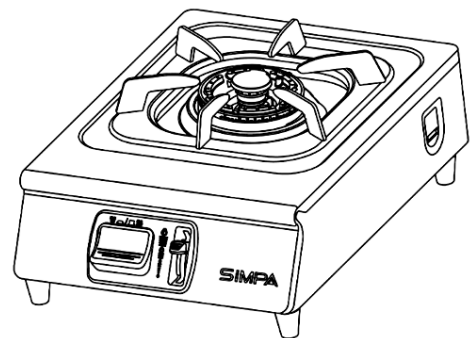
型號 Model

UZH1S / USH1SL

UZH2S / UZH2SL



UZH2S / UZH2SL



UZH1S / UZH1SL

香港煤氣 / 石油氣適用

For Hong Kong Town Gas / LPG

目錄

重要安全指示	第 1 頁
安裝指示	第 3 頁
操作指示	第 5 頁
保養	第 6 頁
故障處理方法	第 7 頁
規格	第 8 頁

注意!

根據香港氣體安全條例，任何氣體裝置工程，包括爐具和接駁喉管的安裝，必須由註冊氣體裝置技工執行，而該技工已於相關的氣體工程類別註冊及受聘於註冊氣體工程承辦商。

重要安全指示

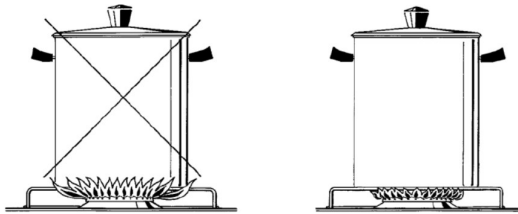
以下指示對氣體煮食爐的安全操作十分重要，請詳細閱讀，如有查詢和服務要求，請聯絡 24 小時客戶服務熱線 2880 6988。

安裝

1. 使用認可印有機電工程署批准標記 (例如: 機電工程署批准 EMSD APPROVAL GTXXXX) 的氣體接駁喉管連接爐具或使用機電工程署接納的其他恰當方法。
2. 爐具必須安裝在空氣流通之房間內。
3. 爐具周圍和下方不可放置可燃物品，如紙張、塑膠、油類等。
4. 爐具與周圍可燃燒物料應保持 150 毫米以上的距離。

使用

1. 當懷疑洩漏氣體時，將窗戶打開，以及關閉煤氣錶閥。切勿操作任何電器或電掣開關。切勿在現場使用任何電話。在現場以外的地方，致電煤氣公司緊急事故熱線 2880 6999。
2. 請參照說明書內指引正確使用爐具。
3. 爐具只供家用，切勿用於商業用途。
4. 除煮食外，切勿使用爐具作其他用途，例如烘乾衣物。
5. 使用爐具前，請開啟窗戶及排氣系統。
6. 不可讓兒童使用爐具。
7. 切勿讓爐具在無人看管下運作。
8. 切勿在爐頭加上錫紙碟，這會引致燃燒問題。
9. 只可使用原廠認可的配件，避免導致潛在的健康風險或財物損失，如一氧化碳中毒或火警。
10. 請確保爐頭沒有變形，如有異常，請聯絡客戶服務安排更換。
11. 使用前，確保爐頭蓋、爐碟和爐架擺放正確，沒有傾斜。
12. 請確保爐頭火孔沒有被水或污漬堵塞。
13. 在一個爐架上，切勿放置超過 10 公斤的重量。
14. 爐架很重，切勿掉下。
15. 不應按下點火按鈕超過 10 秒。如爐頭於 10 秒後仍未燃點，等待最少 1 分鐘後，才再試燃點。
16. 請確保使用時火焰平均。
17. 注意爐面、爐頭及爐架的高溫。
18. 切勿使用直徑過大的平底煮食鍋具，避免溫度過高而造成燙傷及影響爐具的使用壽命。使用細小鍋具時，請將火力調低，避免火焰超出鍋具底部。

	爐頭	最大平底煮食鍋具直徑 (毫米)
	UZH1S / UZH1SL 單爐頭	300
	UZH2S / UZH2SL 左爐頭及右爐頭	300

19. 請確保器皿穩定地放在爐架上，如器皿容易滑動，必須緊握它。

重要安全指示

20. 燒開水或煮湯時，注入的水量連湯料不可超過器皿容量 3 分之 2，溢出液體會影響燃燒和損壞爐具。
21. 烹調時，請儘量蓋上鍋具。而鍋具的手柄亦應轉向適當位置，避免受熱或碰撞。
22. 請勿在爐具附近使用噴霧產品。
23. 使用後，應將所有開關按鈕設於關閉位置。
24. 經常清潔爐頭蓋以保持爐頭火孔暢通，如滾瀉食物及汁液，應在爐具冷卻後儘快作出妥善清潔。
25. 如爐具出現異常聲響，應先關火。在爐具冷卻後，檢查及放好爐頭蓋。若問題持續，聯絡客戶服務進行檢查。

保養

1. 定期檢查氣體喉管狀況，確保沒有扭結或裂縫，若發現損壞，請聯絡客戶服務更換喉管。
2. 讓爐具完全冷卻後，才可進行清潔。
3. 進行清潔時，應穿上保護手套避免割傷。避免接觸爐具的內部位置。
4. 清洗爐頭蓋後，用乾布將爐頭蓋完全抹乾，爐頭火孔不可留有水份，以免影響燃燒。
5. 使用前和使用後，注意爐頭的狀況和清潔。以下不正常狀況會產生燃燒不良，進而引致爐具損壞。請確保採取相應措施，糾正有關問題。
6. 待爐具完全冷卻後，才可進行任何保養及清潔。請徹底清潔爐架或爐頭的水漬、湯汁及食物殘渣。風乾的殘留物可能會變成頑固污漬及導致爐架或爐頭變色。

不正常情況	處理措施
爐頭蓋變形	聯絡客戶服務更換零件。
爐頭蓋傾斜	將爐頭蓋重新放好，不可傾斜。
爐頭火孔被水堵塞	用布將爐頭蓋抹乾後，重新放好。
爐頭火孔被污積堵塞	用溫和洗滌劑和刷子清潔爐頭蓋。用布將爐頭蓋抹乾後，重新放好。

安裝位置

爐具須安裝在空氣流通之房間內，但切勿置於強風直接吹入的位置。附近不可放置易燃物料（如紙張、塑膠、油類）、可燃物料、噴霧及壓縮容器。爐具與周圍可燃物料應保持 150 毫米以上的距離。爐具上方須保留最少 650 毫米空間。安裝於爐具上方的抽油煙機，必須與爐架面保留最少 650 毫米的距離。如抽油煙機要求不同的安裝距離，則採用較大間距。爐具於煮食時的煙氣應經由抽油煙機排走。

安裝爐具

放置爐具於工作平面，確保所放之處穩固平坦。

氣體接駁

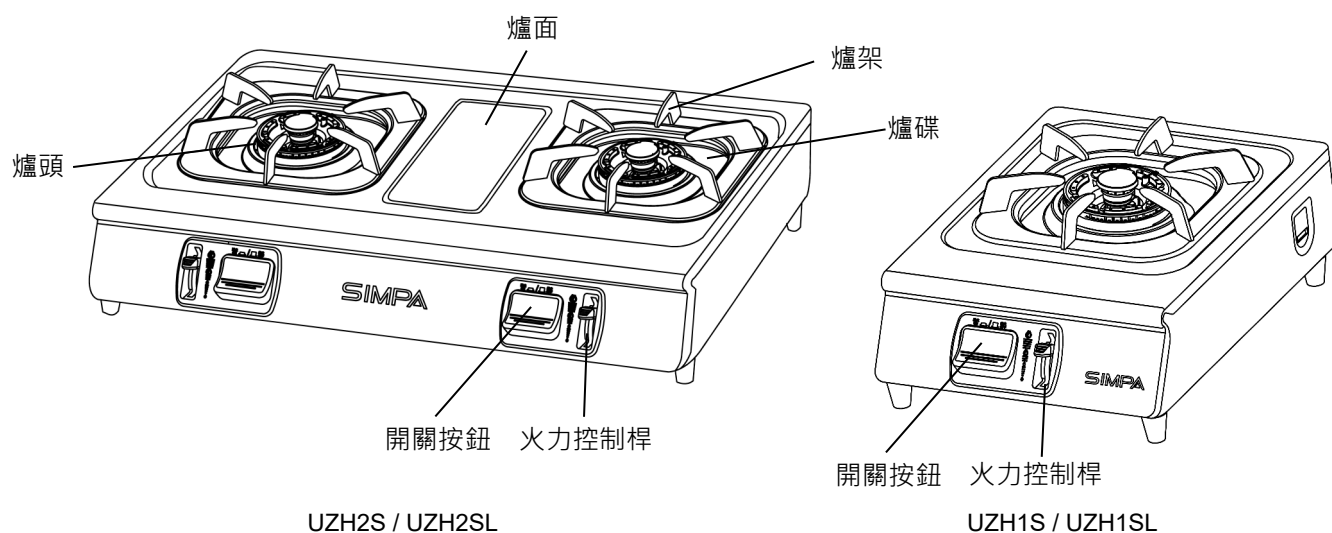
根據現行指定的標準，將氣體爐具連接供氣設施上，接駁前確保爐具符合所供應之氣體類型。並檢查供氣壓力為1.5千帕。石油氣供氣壓力為2.9千帕，不需要接駁穩壓器。



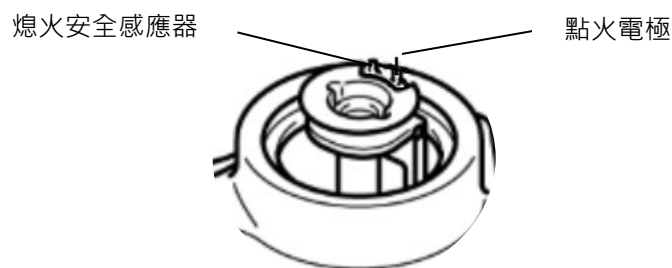
注意

- 爐具的氣體接頭為 1/2 吋英制陽螺紋，石油氣型號為 3/8 吋膠喉接頭。使用已批准的氣體喉管接駁爐具。氣體軟喉長度不超過 2000 毫米。確保喉管沒有接觸任何活動部件或被扭曲和擠壓。
- 安裝完成後，檢查接駁後的氣密性。切勿使用明火作檢查。

爐具介紹



爐頭部件



電池盒在爐底左前方。

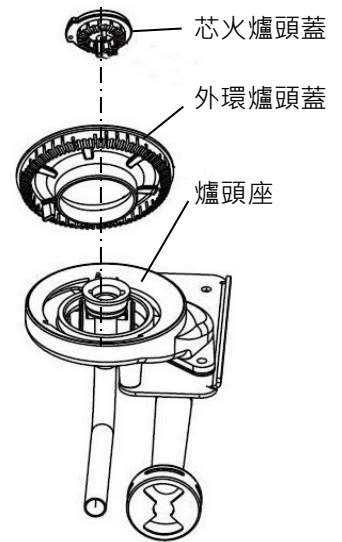
注意電池的電極方向，若電池擺放錯誤，爐具便不能操作。

安裝指示

爐頭放置

使用前，確定以下配件已置於正確位置：

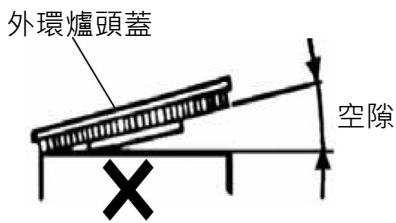
- 爐頭由外環爐頭蓋、芯火爐頭蓋及爐頭座組成。
- 將外環爐頭蓋和芯火爐頭蓋分別放置在外環爐頭座上及芯火爐頭座上，放置時請勿傾斜。



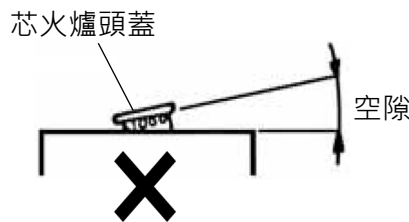
⊘ 不要在爐頭錯誤放置的情況下使用爐具。

- 若爐頭未放置正確，會導致無法點火。
- 火焰不均和回火會導致不完全燃燒、一氧化碳中毒或爐頭變形。
- 火焰進入爐具內，會導致損毀。

外環爐頭蓋傾斜



芯火爐頭蓋傾斜



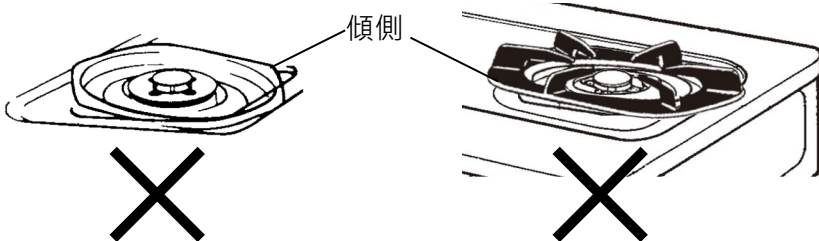
爐碟及爐架放置

使用前，確定以下配件已置於正確位置。

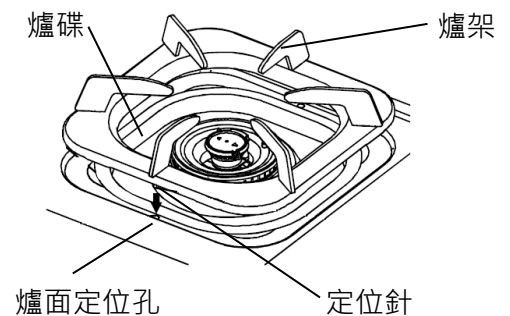
- 將爐架對準爐碟平放。

⊘ 不要在爐架錯誤放置的情況下使用爐具。錯誤放置爐架有機會導致鍋子不穩，並引致危險。

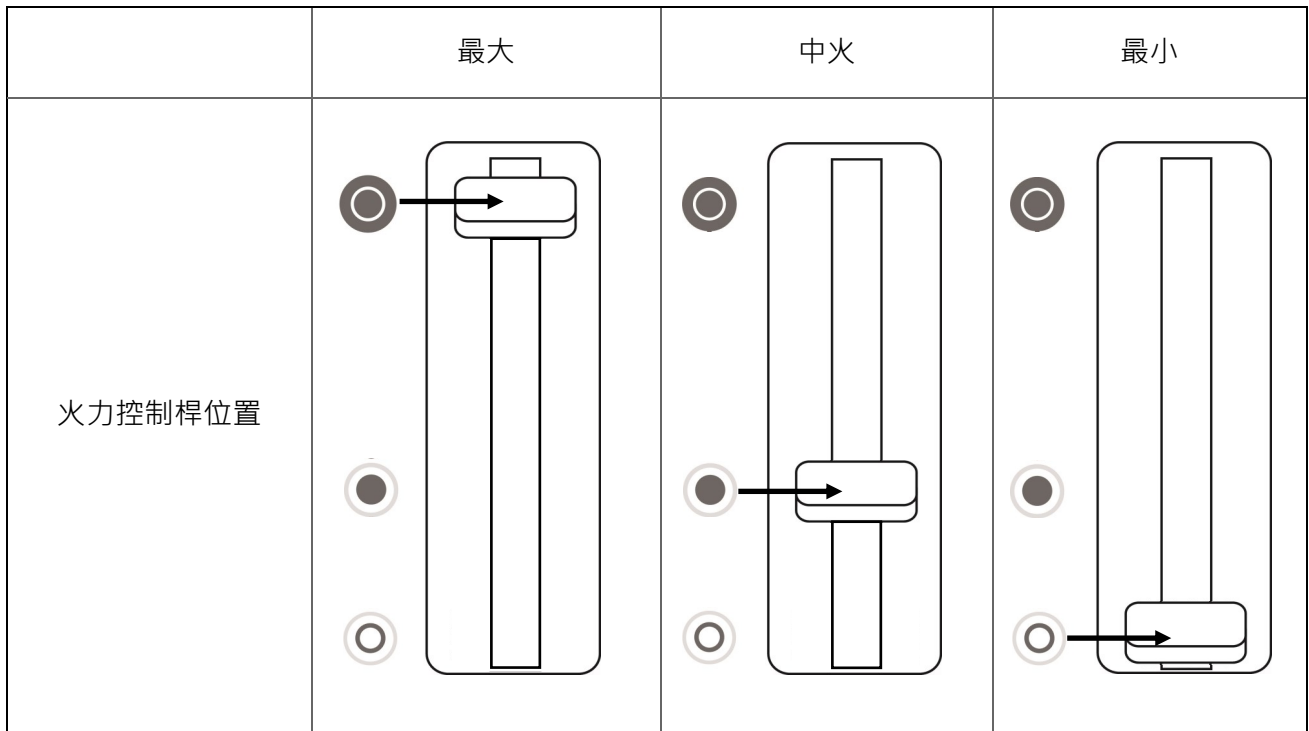
爐碟錯誤放置



爐架錯誤放置



火力控制桿及標示



點燃爐頭

完全按下按鈕，火花點著爐頭後鬆開按鈕，爐火會維持。



注意

- 如爐具長時間未有使用，於首次點燃時，有機會因喉管內含有空氣而未能令爐頭點燃成功。
- 如爐頭未能燃點，將按鈕轉至關閉位置。等待最少 1 分鐘後，重複上述點燃步驟至成功點燃爐頭。請勿維持按下按鈕超過 10 秒。



火力調節

爐頭點燃後，可按烹調所需推動火力控制桿調節火力。請緩慢調節火力。



注意

- 在調較最大火力至接近中火時，若發現外環火焰不穩定(微弱或熄滅)，請立即調大火力，直至外環火焰穩定，才繼續使用；或調小火力，使用芯火。
- 在調較火力時，有機會因火力的轉變令爐頭內的氣體瞬間燃燒而出現「撲」聲，此屬正常現象。

關閉爐頭

按一下按鈕，按鈕會回到關的位置。



注意

- 關閉爐頭時，有機會因殘留在爐頭內的氣體瞬間燃燒而出現「撲」聲，此屬正常現象。





注意

- 待爐具完全冷卻後，才可進行任何保養及清潔。
- 清潔時，應配帶手套保護雙手。

為妥善保養爐具，遵照以下指示定期清潔爐具：

一般

- 請勿使用蒸氣清潔爐具；
- 使用適當的非研磨及非腐蝕性的清潔劑清潔金屬及搪瓷部份，避免使用含氯清潔劑（如漂白劑）；
- 避免酸性或鹼性物質（如醋、鹽水、檸檬汁等）殘留在爐具；
- 煮食時如有液體溢出，應待爐具冷卻後儘快清理；
- 定期檢查熄火安全裝置及點火電極，如有污物黏附，可使用軟刷將污物去除；
- 不應接觸爐具內部零件；
- 經常檢查氣體喉管情況，如發現有損壞，請致電客戶服務更換。

清潔爐具

- 定期使用暖水及清潔劑清洗爐頭蓋，將污漬去除，並保持爐頭火孔暢通；
- 清潔後須完全抹乾爐頭蓋，並檢查爐頭火孔沒有被堵塞；
- 將爐頭蓋放回正確位置，不可傾斜或反轉；
- 煮食時滾瀉的食物或液體，必須以乾布清潔。

故障處理方法



注意

- 於重新點火前，請將按鈕按回關閉位置。

如爐具出現異常或故障，應先關火。請先確保爐具完全冷卻後，才進行任何故障處理。如採取以下處理方法後仍然無效，請致電 24小時客戶服務熱線 2880 6988 安排維修。

故障	原因	處理方法
1. 沒有點火	點火電極濕了。	以乾布抹乾點火電極。
	點火電極有污垢。	清理點火電極。
	電池已耗盡。	更換電池。
	電池電極擺放錯誤。	重新放好電池。
2. 沒有火焰	仍未開啟煤氣錶閥及 / 或爐具供氣閥。	完全開啟煤氣錶閥及 / 或爐具供氣閥。
	錫紙碟阻塞爐頭。	拿去錫紙碟。
3. 不能保持爐火	開關按鈕未按盡。	按盡開關按鈕，並保持數秒。
	熄火安全裝置上有污垢。	清理熄火安全裝置。
4. 使用中熄火	煮食溢出物阻塞爐頭。	待爐具冷卻後，清理爐頭蓋，重新點火。
	爐火過弱被風吹熄，熄火安全裝置啟動。	按鈕按至關閉位置。等待1分鐘，重新點火。
5. 黃火	爐頭有污垢。	以暖水和清潔劑清洗爐頭蓋，將它抹乾和放好後，重新點火。
6. 火焰不穩定	爐頭蓋變形。	聯繫客戶服務更換零件。
	爐頭蓋擺放不正確。	按鈕按至關閉位置。待爐具冷卻後，重新放好爐頭蓋和爐頭身，重新點火。
7. 使用中出現異常聲音	爐頭蓋擺放不正確。	按鈕按至關閉位置。待爐具冷卻後，重新放好爐頭蓋和爐頭身，重新點火。
8. 調較火力或關火時出現“撲”聲	殘留在爐頭內氣體瞬間燃燒。	正常現象。

規格

型號		UZH1S	UZH1SL	UZH2S	UZH2SL	
基本規格	爐具類別	氣體煮食爐				
	安裝方式	座枱式				
	氣體種類	香港煤氣	香港石油氣	香港煤氣	香港石油氣	
	供氣壓力 (千帕)	1.5	2.9	1.5	2.9	
	氣體接駁	1/2 吋 英制陽螺紋	3/8 吋 膠喉咀	1/2 吋 英制陽螺紋	3/8 吋 膠喉咀	
	點火裝置	快易電子點火系統				
	爐頭數目	1	1	2	2	
	額定熱負荷 (千瓦)	總	5.8	4.5	11.5	8.8
		左爐頭	-	-	6.0	4.5
		右爐頭	-	-	6.0	4.5
	機身尺寸 (毫米)	高	至爐面	128		128
			至爐架	163		163
		闊		290		700
		深	至爐身	389		389
至氣體接頭			400		400	
重量 (千克)	3.8		8.0			
電源供應	1.5 伏特 D 型電池 (1 枚)					
耗電量 (瓦)	/					
安全裝置	熄火安全裝置	熱電偶式				
	防高溫保護裝置	/				
	連續煮食自動熄火安全裝置	/				

Contents

Important Safety Instructions.....	P. 1
Installation Instructions.....	P. 3
Operating Instructions	P. 5
Maintenance.....	P. 6
Troubleshooting.....	P. 7
Specifications	P. 8

Attention!

According to the Gas Safety Ordinance of Hong Kong, any gas installation works including the installation of appliances and connection tubing, must be undertaken by registered gas installers who are registered for that appropriate classes and be employed by registered gas contractors.

Important Safety Instructions

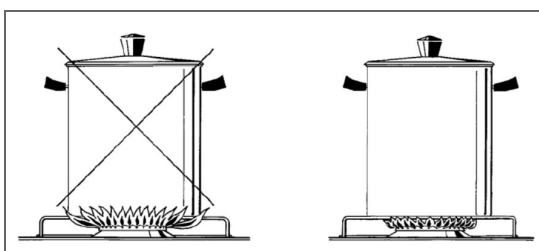
The following instructions are very important to safety operation of gas hotplate. Please read through them carefully. Please contact 24-hour Customer Service Hotline on 2880 6988 for enquiry and services.

Installation

1. Use approved gas tubing bearing EMSD approval marking (such as: 機電工程署批准 EMSD APPROVAL GTXXXX) for connection to appliance or other appropriate methods accepted by EMSD.
2. Install the appliance in a well-ventilated room.
3. Do not put any combustible materials near or under appliance, e.g. paper, plastic and oil.
4. The appliance should be installed with a distance of more than 150mm away from surrounding combustible materials.

Operation

1. In case of suspected gas leak, open windows and shut off gas meter valve. Do not operate any electric appliances or switches. Do not use any phones on site. Contact Towngas Emergency Hotline on 2880 6999 with a phone outside the premises.
2. Please use the appliance properly according to the operating instructions.
3. This appliance is designed for domestic use only. Do not use it for commercial purposes.
4. Do not use the appliance for any purposes other than cooking, e.g. drying clothes.
5. Open windows and turn on ventilation system before operating the appliance.
6. Do not allow kids to use appliance.
7. Do not leave operating appliance unattended.
8. Do not add aluminum discs to burners. This will incur combustion problem.
9. Use the original manufacturer approved accessories only to avoid possible risks to health or property, such as carbon monoxide poisoning or fire.
10. Ensure that burner are not deformed. Contact Customer Service to replace the parts if deformation is found.
11. Before use, ensure the burner and pan supports are in correct position and are not tilted.
12. Ensure that flame holes of burners are free from water and dirt.
13. Do not put weight exceeding 10kg on each pan support.
14. Pan support is heavy. Do not drop it.
15. Do not press the rotary knob for more than 10 seconds. If the burner is not ignited after 10 seconds, wait at least 1 minute before making further attempt.
16. Make sure that flame condition is uniform during operation.
17. Heed high temperature of top plate, burners and pan supports.
18. Do not use flat bottom utensil with too large diameter to avoid the risk of scald by high temperature and reduce the service life of the appliance. When using small utensil, reduce flame power that flame does not escape from utensil bottom.

	Burner	Maximum Diameter of Flat Bottom Utensil (mm)
	UZH1S / UZH1SL Single Burner	300
	UZH2S / UZH2SL Left Burner & Right Burner	300

19. Ensure stability of utensil resting on pan support. Hold utensil firmly if it slips easily.

Important Safety Instructions

20. Do not fill water including soup ingredients over two-thirds of utensil volume when boiling water or soup. Spilled liquid of boiling will affect combustion and damage the appliance.
21. Always use pots with covers and make sure that the handles of the pots are correctly positioned to avoid heating and collision of handles.
22. Do not use sprays near the appliance.
23. ON / OFF buttons should be pressed to off position after use.
24. Clean burner caps regularly to ensure smooth passage of burner flame holes. In case of spillage of food or liquid, clean appliance properly once it cools down.
25. If abnormal noise is observed, turn off flame. Check and place burner caps correctly after appliance cools down. Contact Customer Service for inspection if problem persists.

Maintenance

1. Check condition of gas hose regularly. Ensure that it is free from kink or crack. Contact Customer Service to replace it if damage is found.
2. Allow the appliance to cool down completely before cleaning.
3. Wear glove to protect the hands from cut injury when cleaning the appliance. Do not touch any internal parts of the appliance.
4. Dry burner caps completely with dry cloth after washing. Burner flame holes must be free from water lest combustion is affected.
5. Before and after use, notice the condition and cleanliness of burner. The following abnormal conditions will incur abnormal combustion and thus damage of the appliance. Ensure undertaking measures to rectify the problem accordingly.
6. Allow the appliance to cool down before performing any maintenance and cleaning. Please thoroughly clean water stains, soup and food residues on pan supports or burners. Dried residues may become tough stains and cause discoloration on the pan supports or burners.

Abnormal Condition	Handling Measure
Burner caps are deformed.	Contact Customer Service to replace the parts.
Burner caps are tilted.	Place burner caps properly. Burner caps must not be tilted.
Burner flame holes are blocked by water.	Dry burner caps with cloth and place them properly.
Burner flame holes are blocked by dirt.	Clean burner caps with mild detergent and brush. Dry burner caps with cloth and place them properly.

Installation Instructions

Installation Position

Install the appliance in a well-ventilated room but not at the position of strong wind. Keep it away from any combustible materials (such as paper, plastic, oil), sprays or pressurized containers. The appliance should be installed with a distance of more than 150mm away from surrounding combustible materials. Allow 650mm or more clearance above appliance. Install a range-hood at a distance of not less than 650mm from the surface of pan support of appliance. If the range-hood requires a different installation distance, adopt the larger value. The combustion products of appliance shall be evacuated by means of range-hood.

Appliance Installation

Position the appliance onto the bench-top. Ensure the bench-top is stable and flat.

Gas Connection

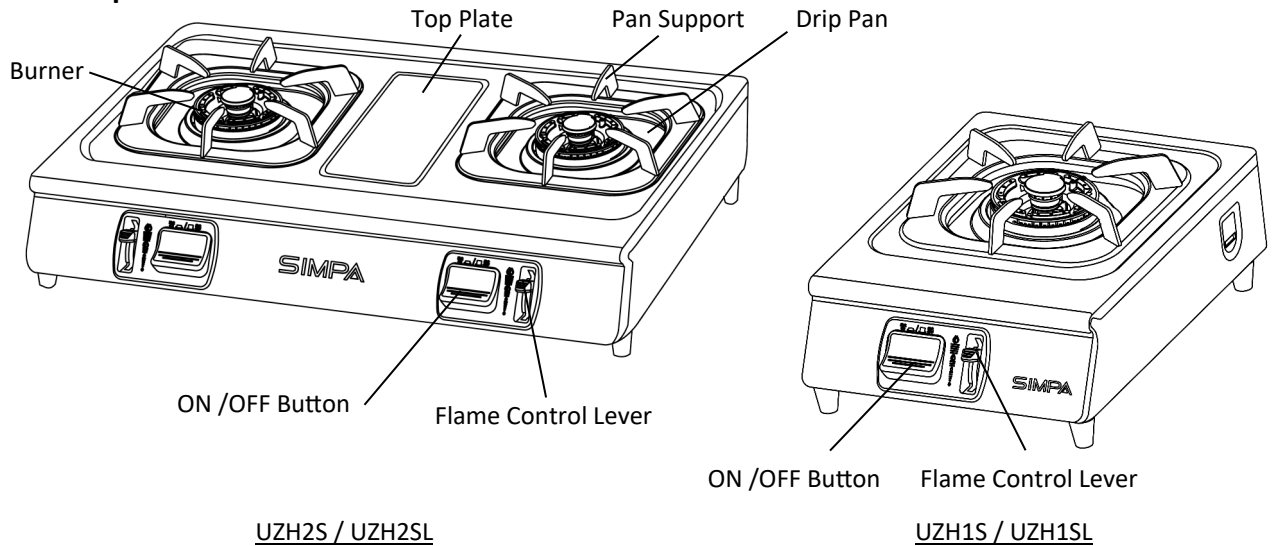
Connect the gas appliance to the gas supply according to the prescribed standards in force, and ensure that the appliance matches with the type of gas supply. Furthermore, check the Town Gas supply pressure is 1.5 kPa. LPG supply pressure is 2.9 kPa and no governor is needed.



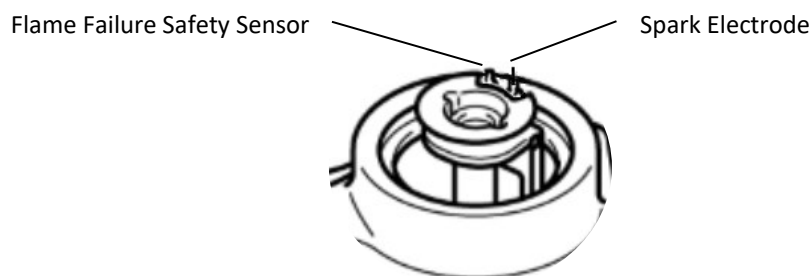
Attention

- The gas connection of town gas model is 1/2" BSP male thread. It is 3/8" rubber hose connector for LPG model. Use approved gas tubing for connecting to appliance. Flexible tubing must not be longer than 2000 mm. Make sure that the tubing does not touch any moving parts and is not kinked or compressed.
- After installation, check gas soundness of piping. Never use naked flame for checking.

Appliance Descriptions



Burner Parts



Battery box located at left-front corner of bottom position.

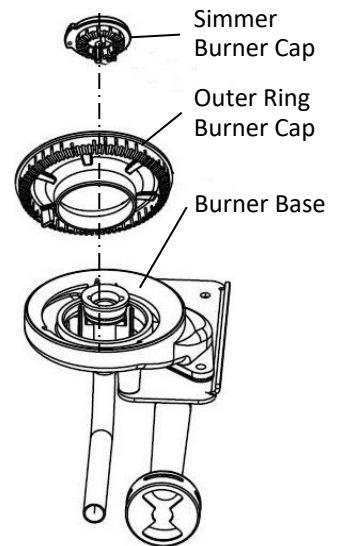
Be careful the battery orientation, appliance does not operate if batteries are placed wrongly.

Installation Instructions

Placement of Burner

Make sure that the following parts are fitted properly before use.

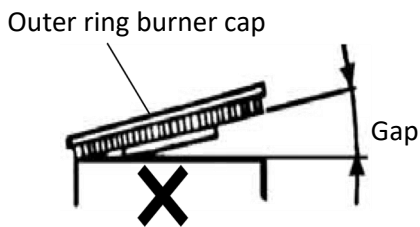
- Burner is composed of outer ring burner cap, simmer burner cap and burner base.
- Place the outer ring burner cap and simmer burner cap onto the burner base without tilting.



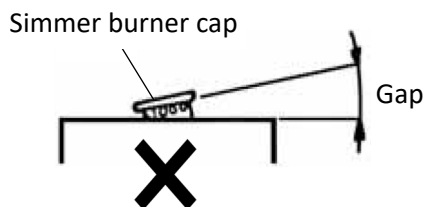
⊘ Do not use appliance with burner cap and burner body positioned improperly.

- It may not be ignited if burner cap and burner body are not fixed properly.
- It may cause incomplete combustion, risk of carbon monoxide poisoning and burner deformation, due to uneven flame shape and lighting back.
- It may cause flame getting into the appliance and damage it.

Tilted outer ring burner cap



Tilted simmer burner cap



Placement of Drip Pan & Pan Support

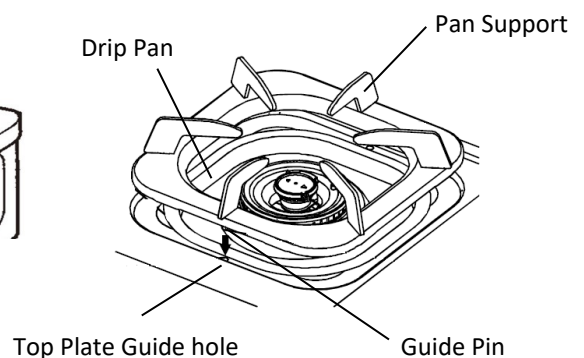
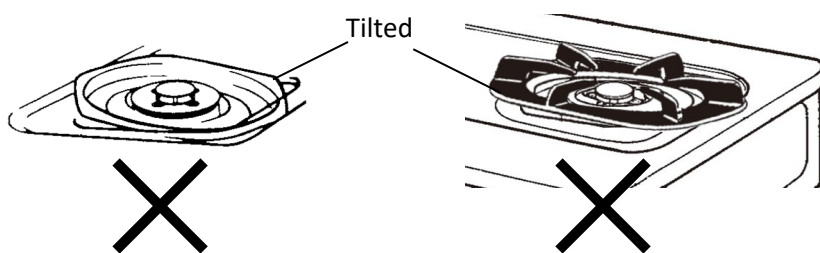
Make sure that the following parts are fitted properly before use.

- Place the drip pans and pan supports to the appliance properly.

⊘ Do not use appliance with pan support positioned improperly. Due to improper fixing of pan support, cooking utensil may become unstable and cause hazard.

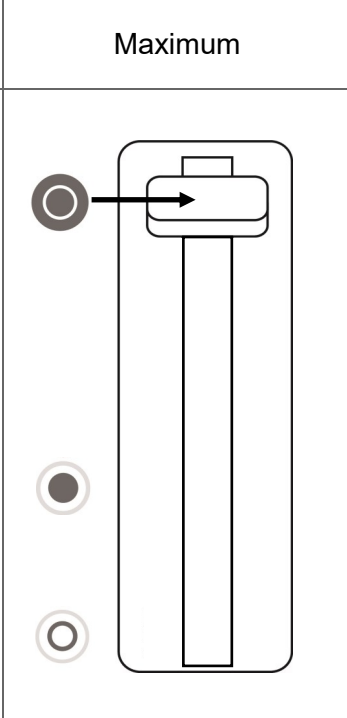
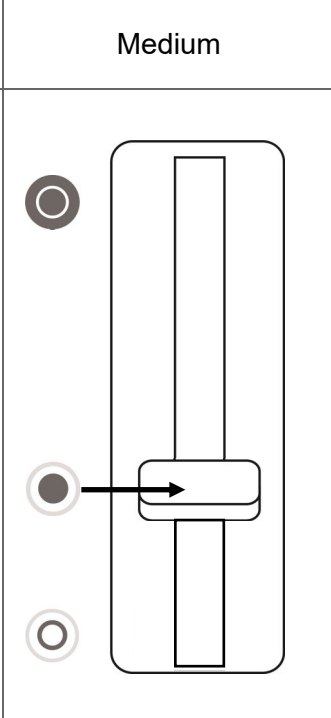
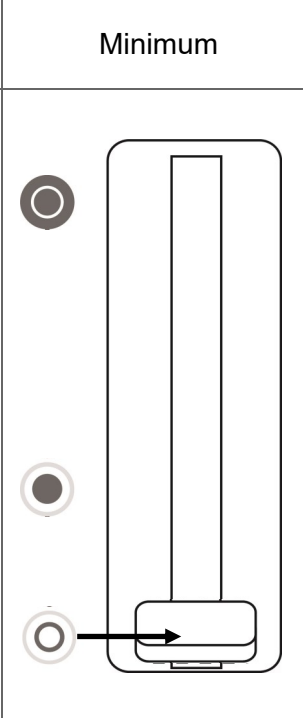
Improper placement of drip pan

Improper placement of pan support



Operating Instructions

Flame Adjustment and Indications

	Maximum	Medium	Minimum
Flame Control Lever Position			

Ignition of Burner

Fully press ON/OFF button. Release button after spark ignites burner. Flame will persist.



Attention

- If the appliance has not been used for a long time, the first ignition may not succeed due to the trapped air in gas pipe.
- If the burner fails to ignite, press button once to turn off. Wait for at least 1 minute, repeat the above ignition procedures until success of burner ignition. Do not keep the pressing the button over 10 seconds.



Flame Control

After ignition, move the flame control to adjust flame power according to cooking needs. Please move flame control lever slowly.



Attention

- When adjust flame power from maximum close to medium, if flame of outer ring burner is found unstable (weak or extinguished), please adjust the flame power to maximum until flame of outer ring burner is stable, or reduce flame power and use flame of simmer burner.
- Pop sound might be generated during flame adjustment due to instant combustion of gas in burner. This is a normal phenomenon.

Turning Off Burner

Press ON/OFF button once. Button returns to OFF position.



Attention

- Pop sound might be generated during flame extinguishing due to the instant combustion of gas remained in burner. This is a normal phenomenon.



Maintenance



Attention

- **Allow the appliance to cool down before performing any maintenance and cleaning.**
- **Wear gloves to protect the hands while cleaning.**

To maintain the appliance properly, follow the below instructions to clean it regularly:

General

- Do not use steam cleaners for cleaning.
- The metal and enamelled parts must be cleaned with suitable non-abrasive and non-corrosive detergents. Avoid using chlorine-based detergents (e.g. bleach);
- Avoid leaving acidic or alkaline substances on the appliance (vinegar, brine, lemon juice, etc).
- Clean and tidy up the burner after spillage of food and liquid once it cools down.
- Regularly check the flame failure safety device and ignition electrode. If stains get stuck at the devices, clean them with soft brush.
- Do not touch any internal parts of the appliance.
- Check the condition of gas tubing regularly. If damage is observed, contact customer service for replacement.

Cleaning Appliance

- Burner cap and body must be washed frequently with warm water and detergent, taking care to remove any grime and keep the flame holes of burner away from blockage.
- Dry the burner cap and body completely after wash and check all flame holes of burner are not clogged.
- Refix the burner cap and body at correct position. Ensure that they are not tilted or reversed.
- Any spilled food or liquid during cooking must always be removed by a dry rag.

Troubleshooting



Before restarting ignition, press ON/OFF button to off position.

Attention

If abnormality or fault is observed, turn off flame. Ensure that the appliance cools down completely before undertaking remedial measures. If not effective after undertaking the following remedial actions, please contact 24-Hour Customer Service Hotline on 2880 6988 for services.

Fault	Cause	Remedy
1. No ignition or flame	Spark electrode is wet.	Dry the spark electrode with dry cloth.
	Spark electrode has dirt.	Clean the spark electrode.
	Battery is consumed.	Change battery.
	Battery polarity is in wrong direction.	Replace battery correctly.
2. No flame	Gas meter valve and / or appliance gas supply valve is turned off.	Open gas meter valve and / or appliance gas supply valve completely.
	Burner is blocked by aluminium disc.	Remove aluminium disc.
3. Flame cannot be held	ON/OFF button is not fully pressed.	Fully press ON/OFF button and hold it for a few seconds.
	Flame failure safety device is dirty.	Clean flame failure safety device.
4. Flame off when using	Cooking spillage blocks burner	Turn off flame. Clean burner caps after appliance cools down. Restart ignition.
	Small flame is blown off by wind. This activates the flame failure safety device.	Press ON/OFF button to off position. Wait for 1 minute and restart ignition.
5. Yellow flame	Burner caps have dirt.	Wash burner caps in warm water with detergent. Dry and replace them at correct position. Restart ignition .
6. Unstable flame	Deformation of burner caps.	Contact Customer Service to replace the parts.
	Incorrect placement of burner caps.	Press ON/OFF button to off position. Replace burner cap and burner body correctly after appliance cools down and restart ignition.
7. Abnormal noise when using	Incorrect placement of burner caps.	Press ON/OFF button to off position. Replace burner cap and burner body correctly after appliance cools down and restart ignition.
8. Pop sound when flame adjusting or extinguishing	Instant combustion of gas remained in burner.	Normal and no action required.

Specifications

Model		UZH1S	UZH1SL	UZH2S	UZH2SL		
Basic Specifications	Appliance Type		Gas Cooking Hob				
	Installation Type		Hotplate				
	Gas Type		Hong Kong Town Gas	Hong Kong LPG	Hong Kong Town Gas	Hong Kong LPG	
	Gas Supply Pressure (kPa)		1.5	2.9	1.5	2.9	
	Gas Connection		1/2" BSP Male Thread	3/8" Rubber Hose	1/2" BSP Male Thread	3/8" Rubber Hose	
	Number of Burners		1	1	2	2	
	Ignition Device		Fast-easy electronic ignition				
	Rated Heat Input (kW)	Total		5.8	4.5	11.5	8.8
		Left Burner		-	-	6.0	4.5
		Right Burner		-	-	6.0	4.5
	Appliance Dimensions (mm)	Height	To top plate	128		128	
			To pan support	163		163	
		Width		290		700	
		Depth	To body	389		389	
			Including gas connection	400		400	
Weight (kg)		3.8		8.0			
Power Supply		1.5V D-size battery (1 pc)					
Power Consumption (W)		/					
Safety Device	Flame Failure Safety Device		Thermoelectric type				
	Overheat Protection Device		/				
	Continuous Cooking Automatic Flame Off Safety Device		/				

